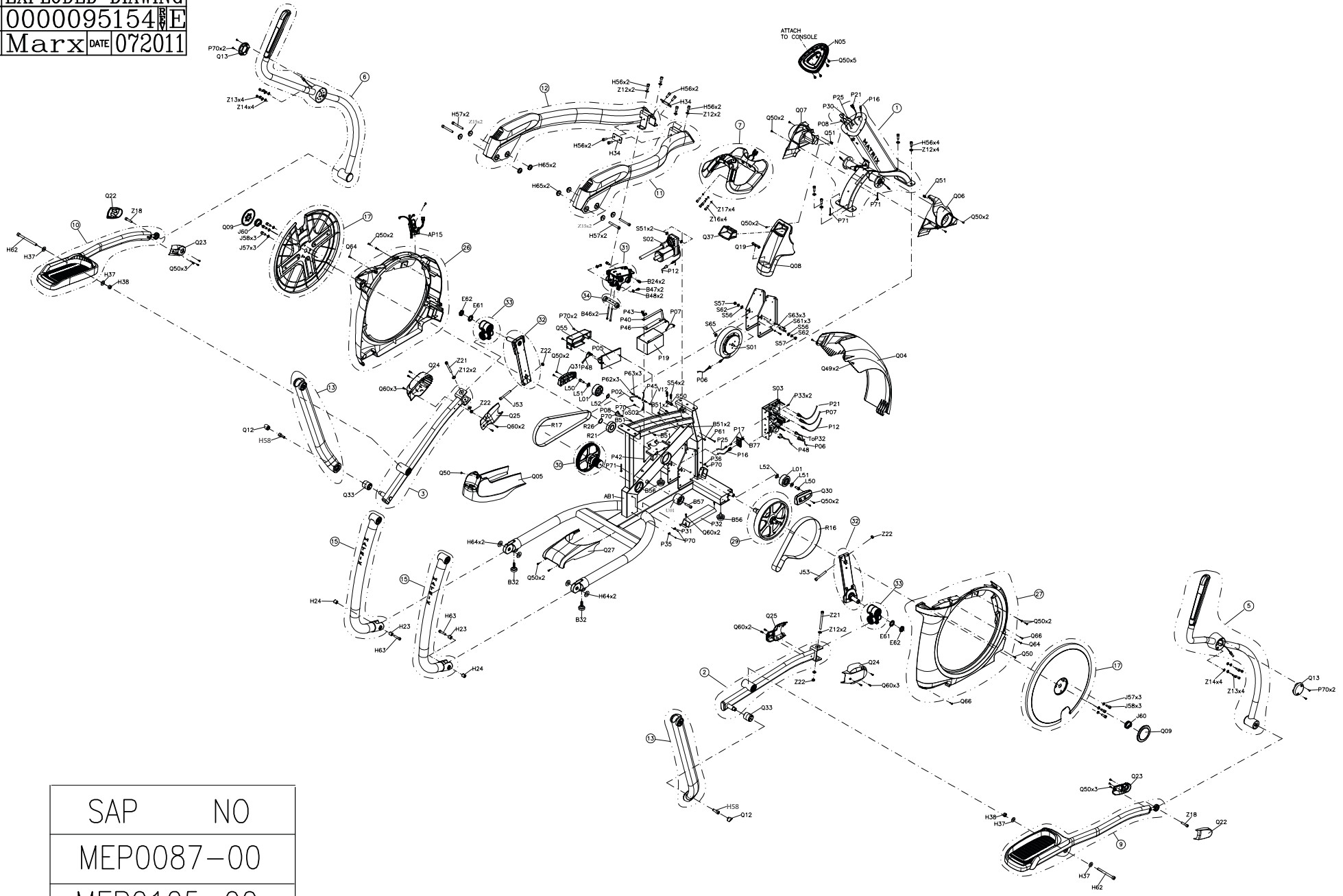
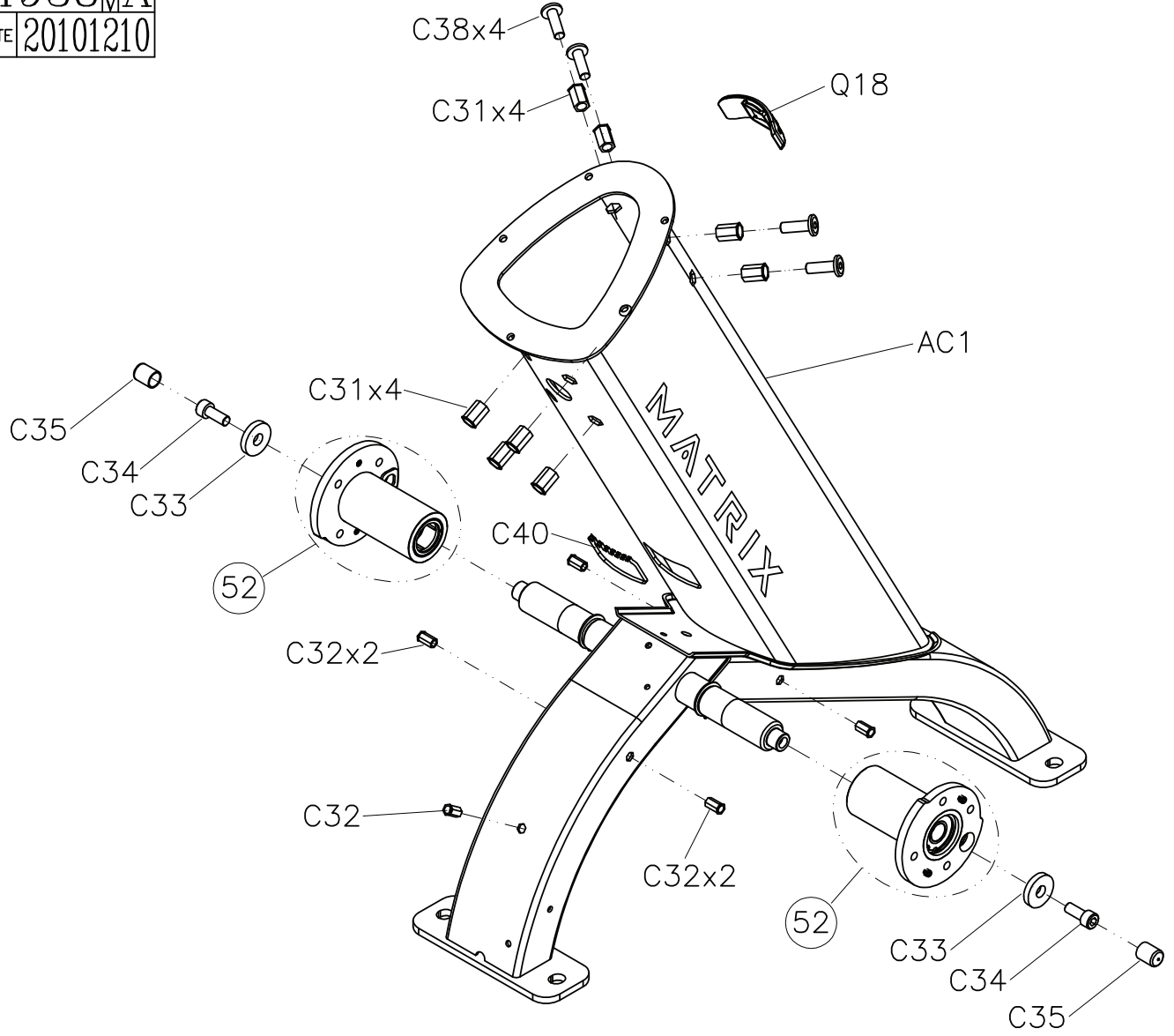


DRAWING NO	EP308-A04
PART NAME	EXPLODED DIAWING
PART NO	0000095154 RE
APPROVE	Marx DATE 072011

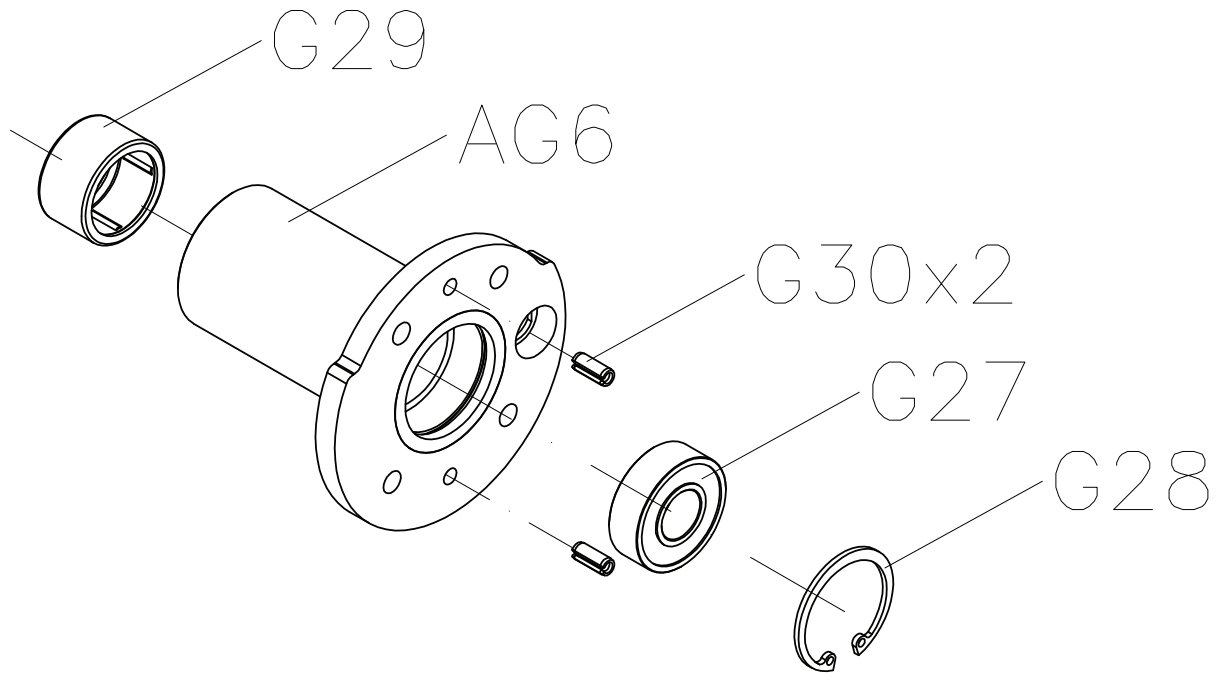


SAP	NO
MEP0087-00	
MEP0125-00	

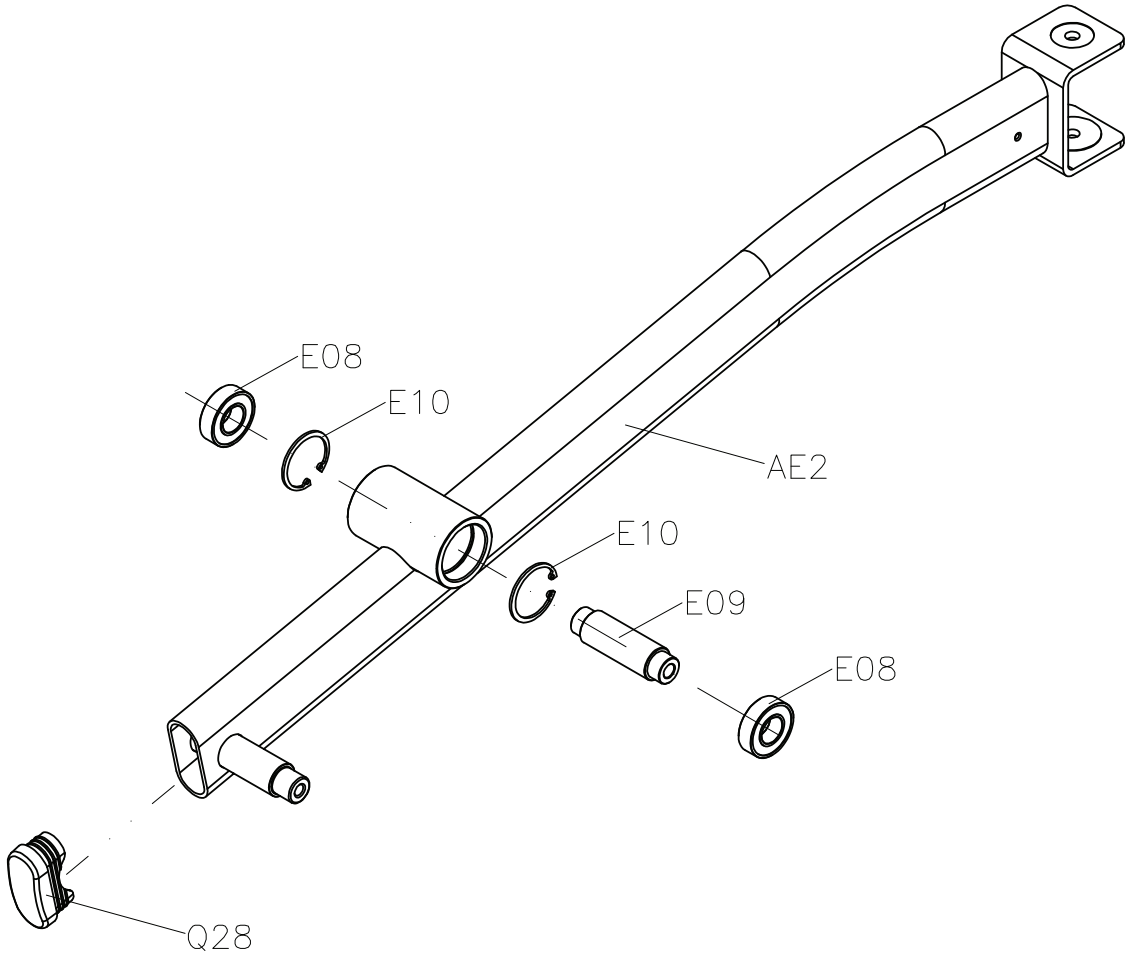
DRAWING NO	EP304-AC11		
PART NAME	CONSOLE MAST SET		
PART NO	0000094938	REV	A
APPROVE	MAX	DATE	20101210



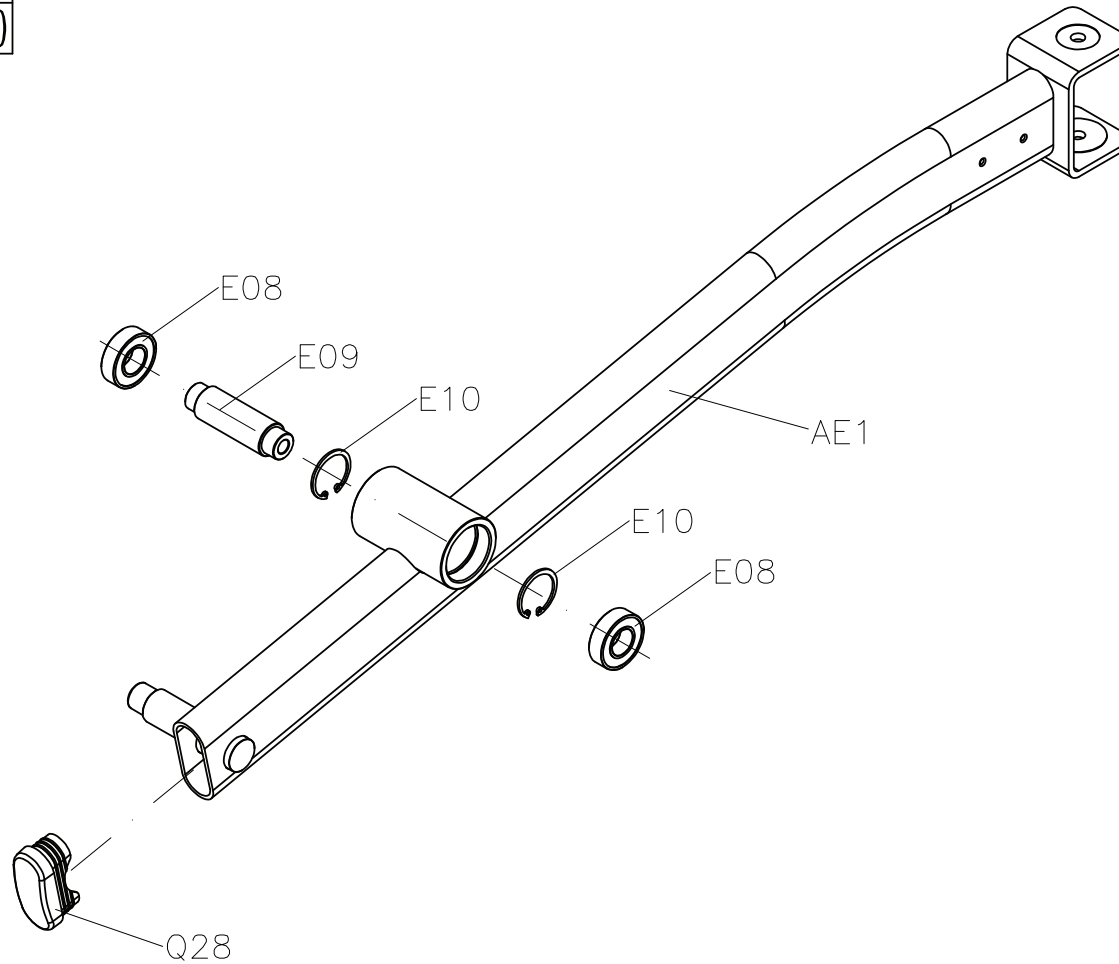
DRAWING NO	EP304-AG15		
PART NAME	ROTATION HOUSING ASSEMBLY SET		
PART NO	0000094951  A		
APPROVE	MAX	DATE	20101210



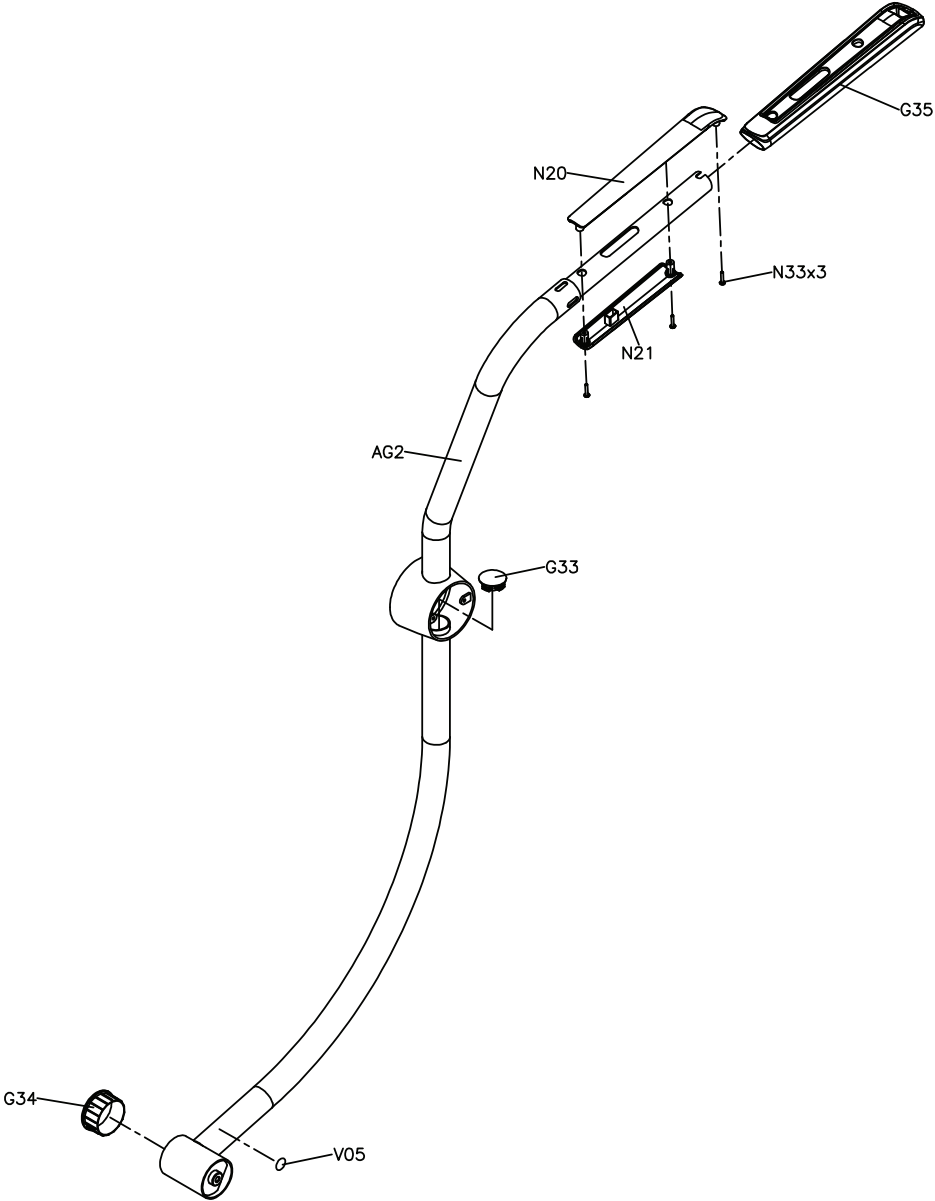
DRAWING NO	EP304-AE11		
PART NAME	RIGHT PEDAL ARM SET		
PART NO	0000094984	REV	A
APPROVE	MAX	DATE	20101210



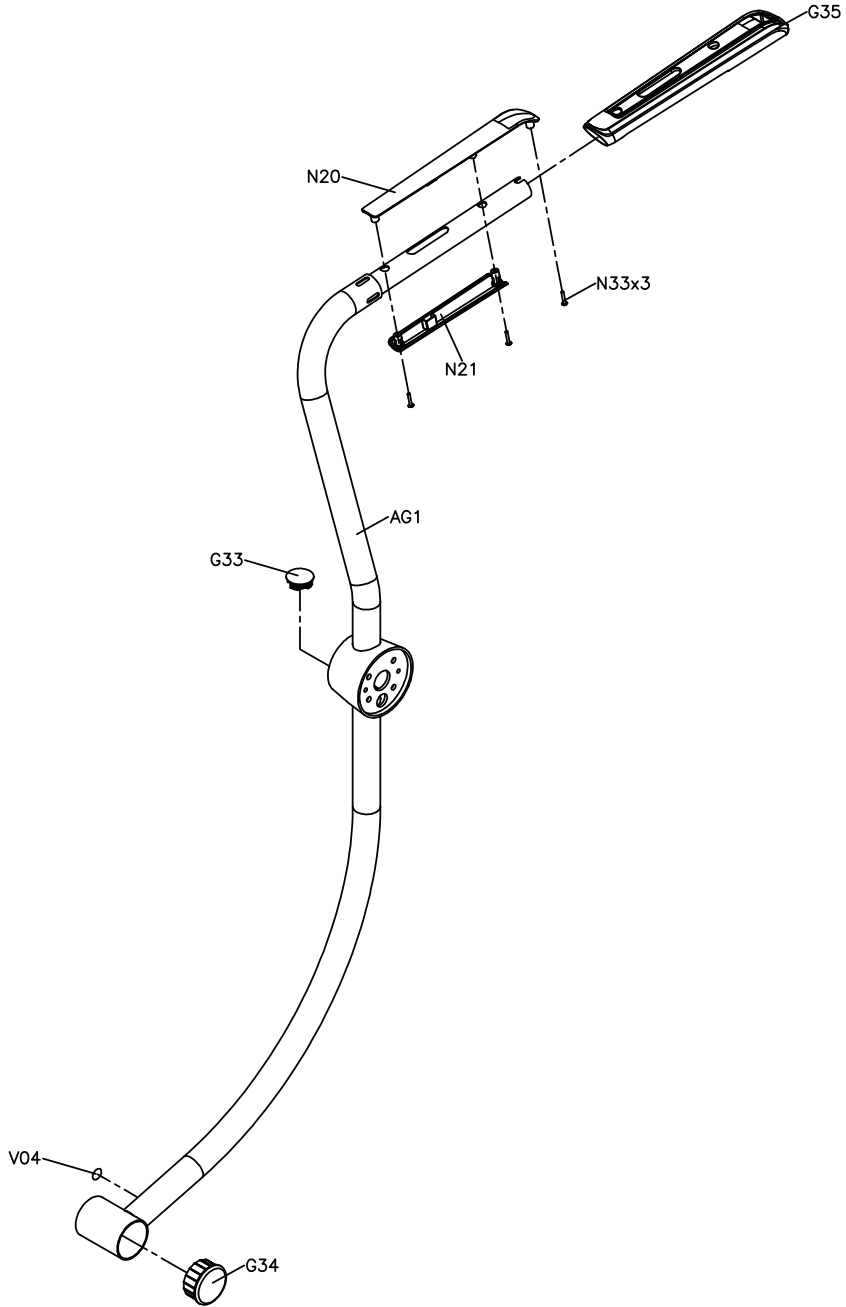
DRAWING NO	EP304-AE12		
PART NAME	LEFT PEDAL ARM SET		
PART NO	0000094991		A
APPROVE	MAX	DATE	20101210



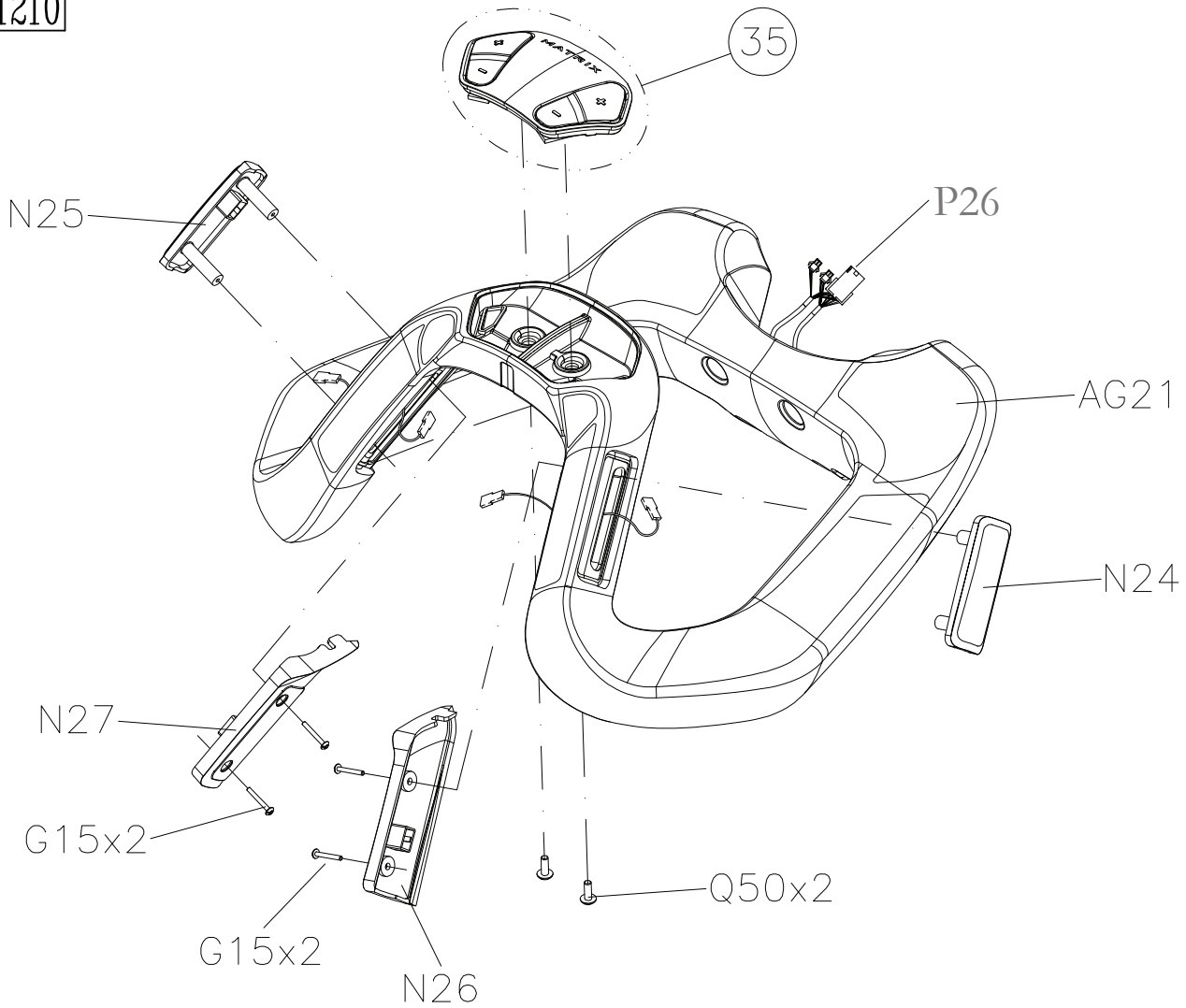
DRAWING NO	EP304-AG11		
PART NAME	RIGHT HANDLEBAR SET		
PART NO	0000094964	REV	A
APPROVE	MAX	DATE	20101210



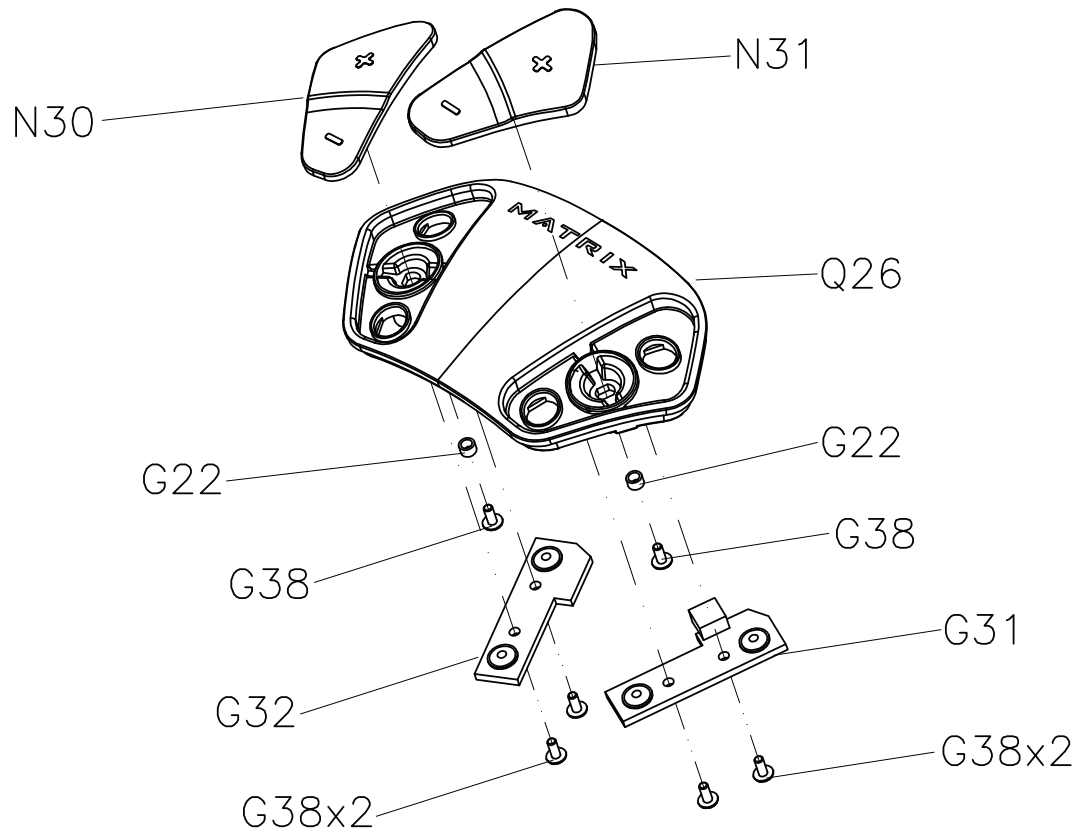
DRAWING NO	EP304-AG12		
PART NAME	LEFT HANDLEBAR SET		
PART NO	0000094977	REV	A
APPROVE	Max	DATE	20101210



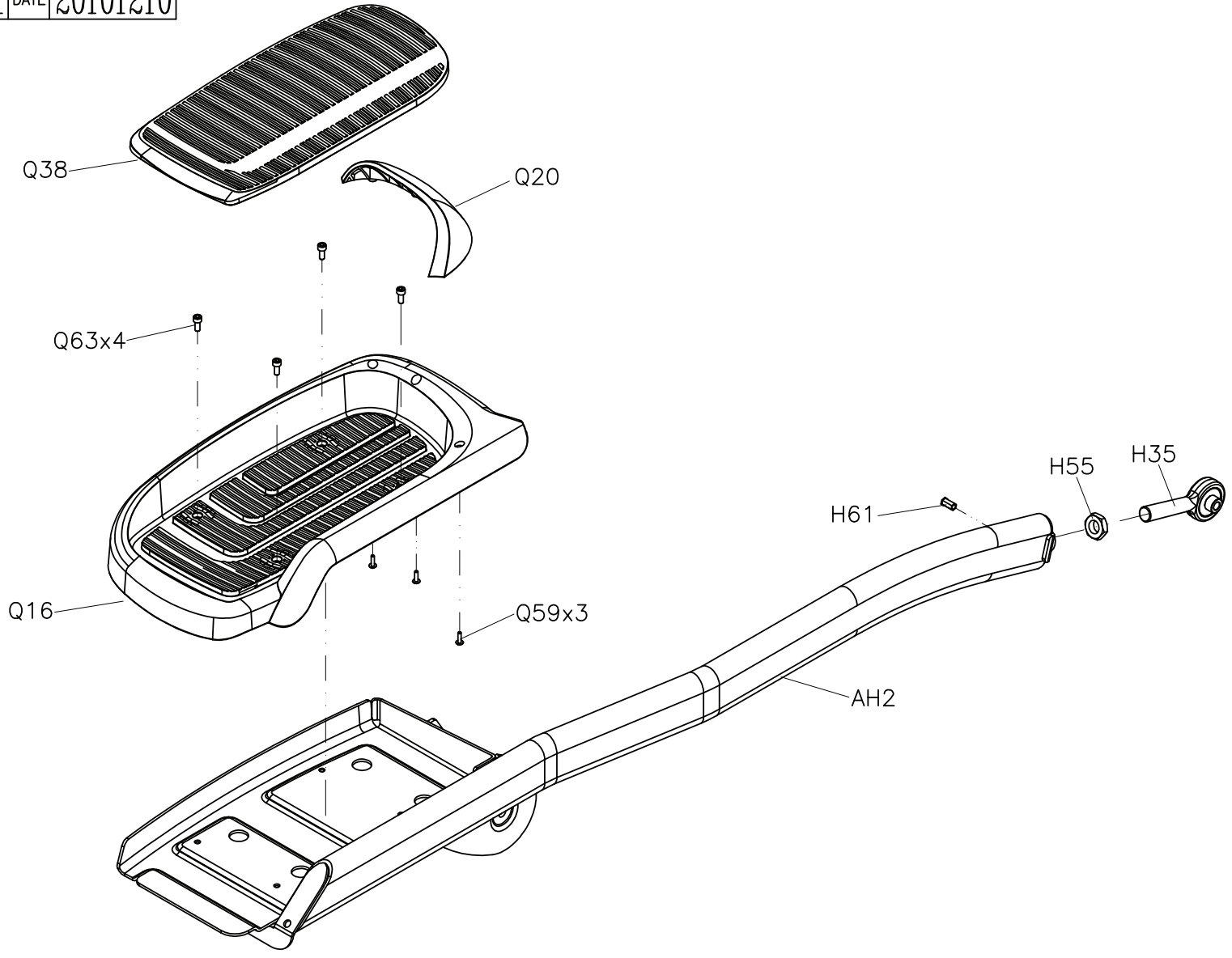
DRAWING NO	EP308-AG13		
PART NAME	FRPMT HANDLEBAR		
PART NO	0000095306	REV	A
APPROVE	MAX	DATE	20101210



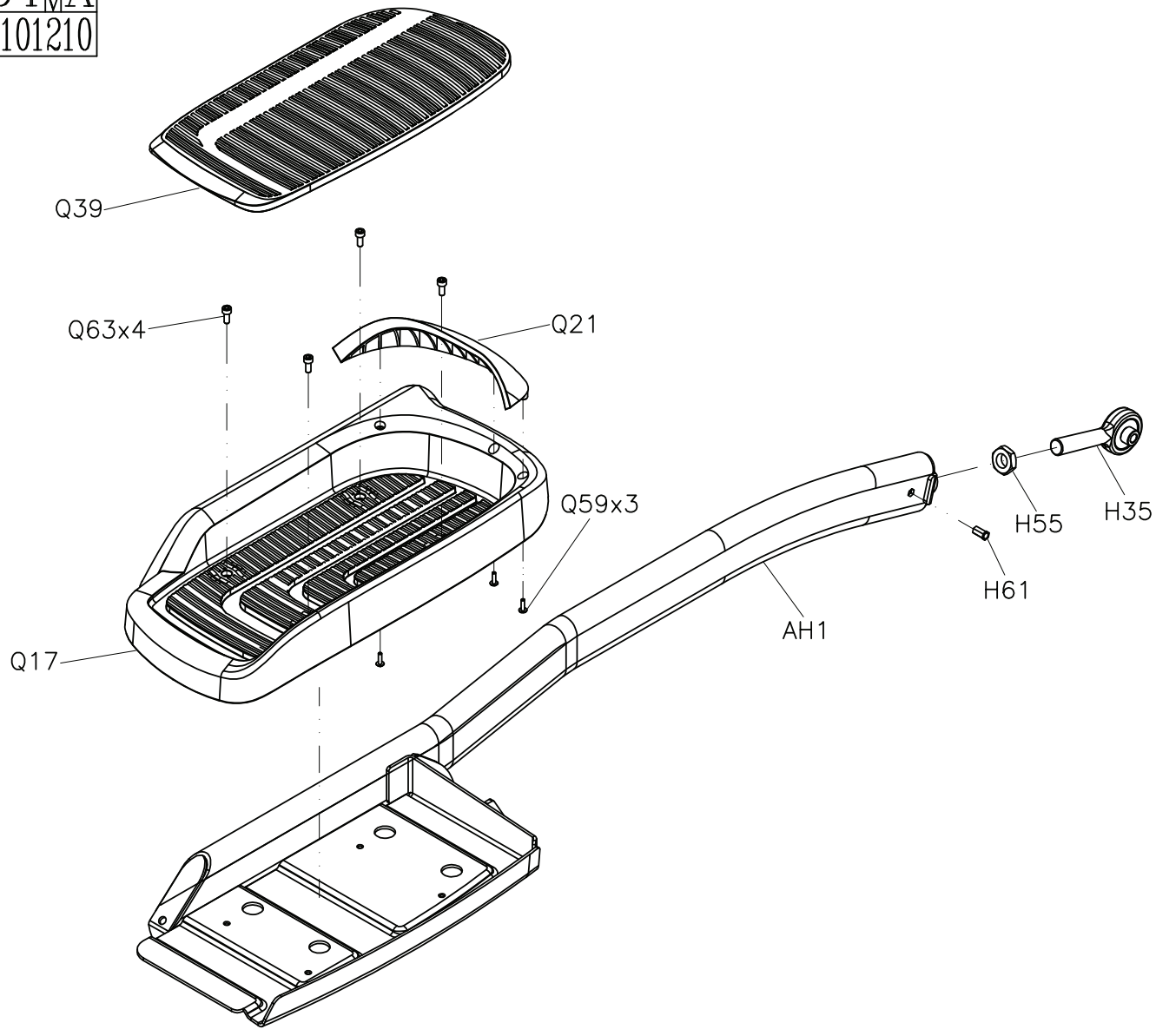
DRAWING NO	EP308-AQ20		
PART NAME	QUICK KEY COVER SET		
PART NO	0000095210	REV	A
APPROVE	MAX	DATE	20101210



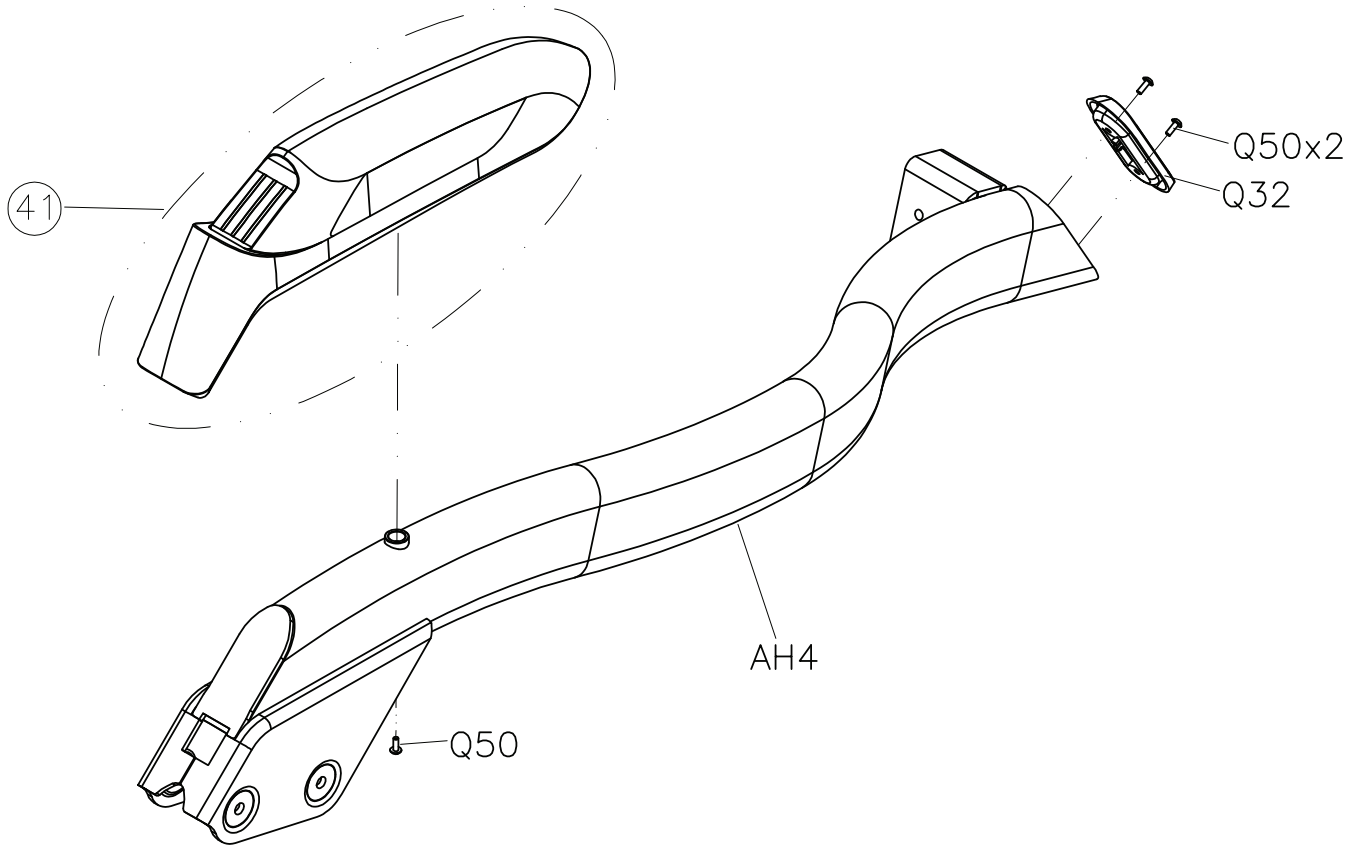
DRAWING NO	EP308-AH21		
PART NAME	RIGHT LOWER LINK ARM SET		
PART NO	0000095309	REV	A
APPROVE	MAX	DATE	20101210



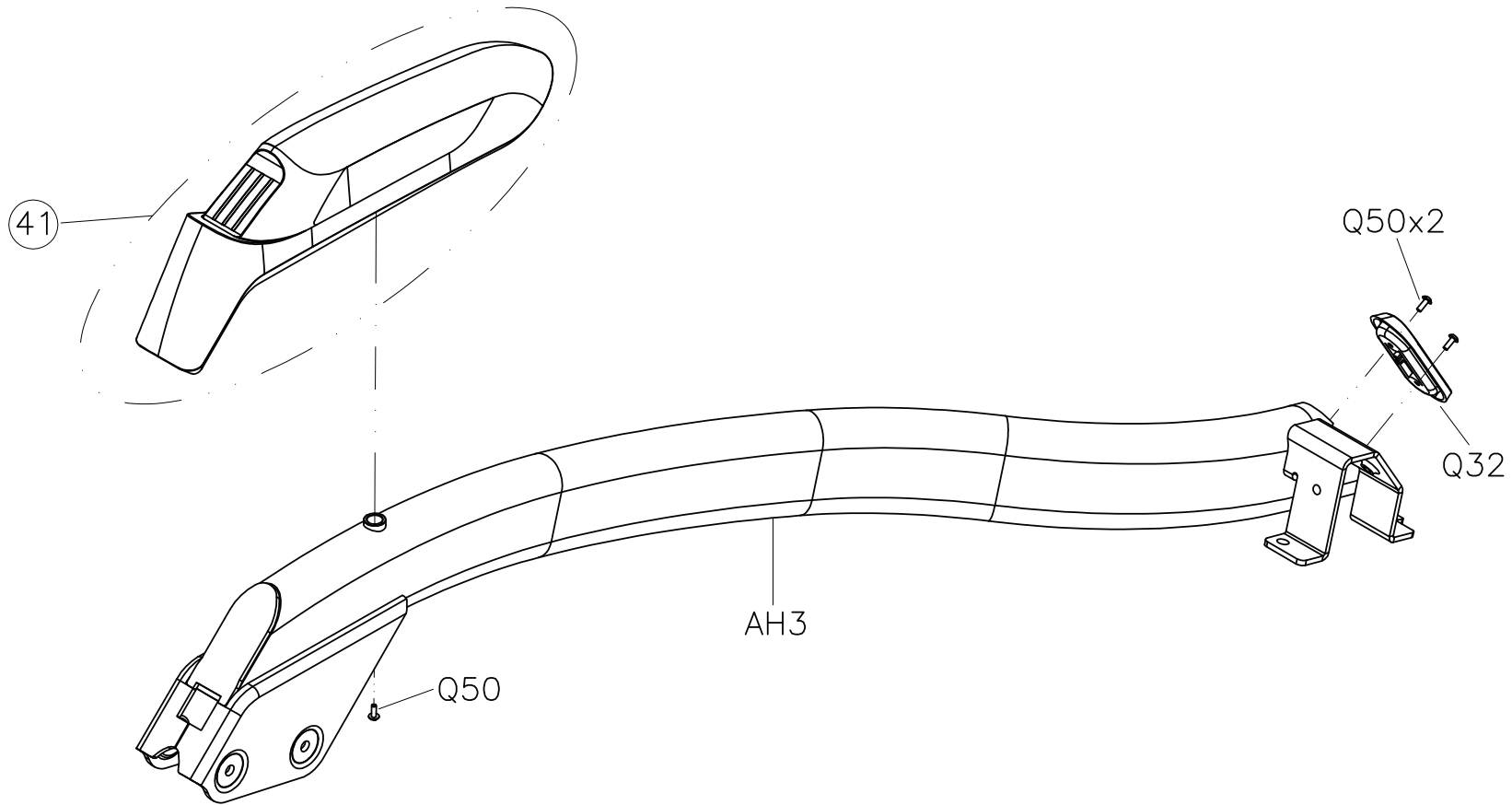
DRAWING NO	EP308-AH22		
PART NAME	LEFT LOWER LINK ARM SET		
PART NO	0000095164	REV	A
APPROVE	MAX	DATE	20101210



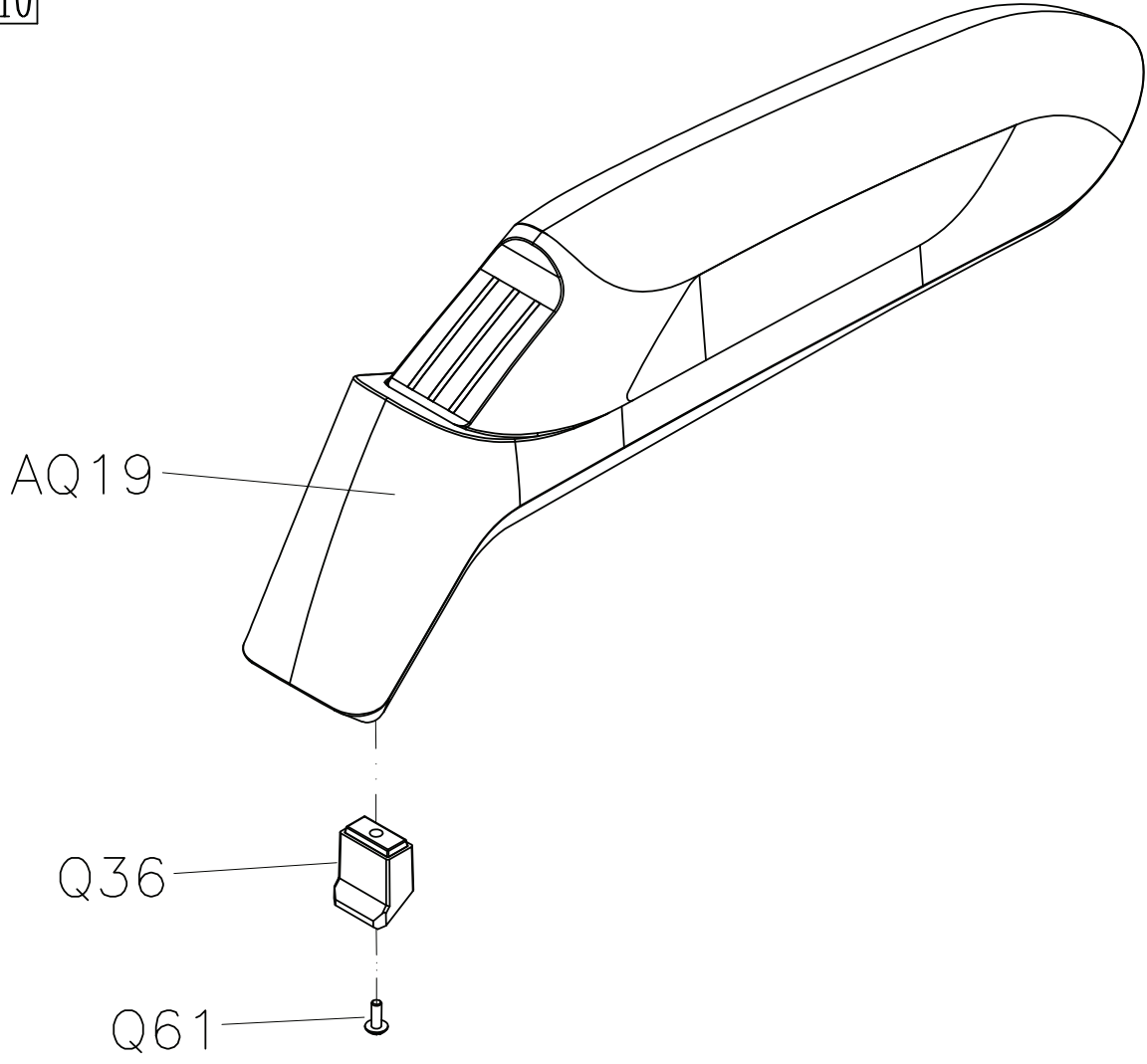
DRAWING NO	EP308-AH23		
PART NAME	RIGHT CONNECTION ARM SET		
PART NO	0000095217  A		
APPROVE	MAX	DATE	20101210



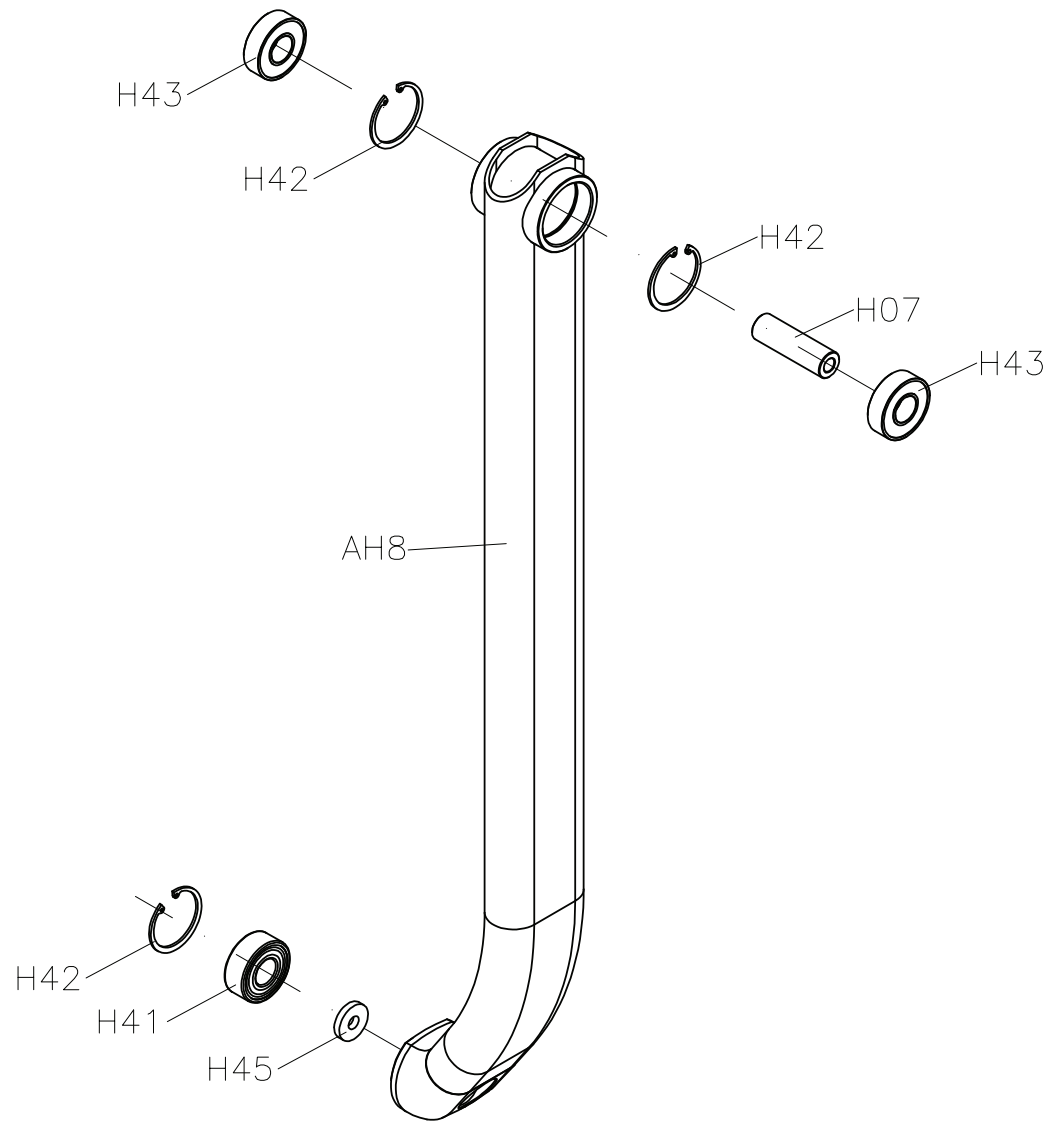
DRAWING NO	EP308-AH24		
PART NAME	LEFT CONNECTION ARM SET		
PART NO	0000095060	REV	A
APPROVE	MAX	DATE	20101210



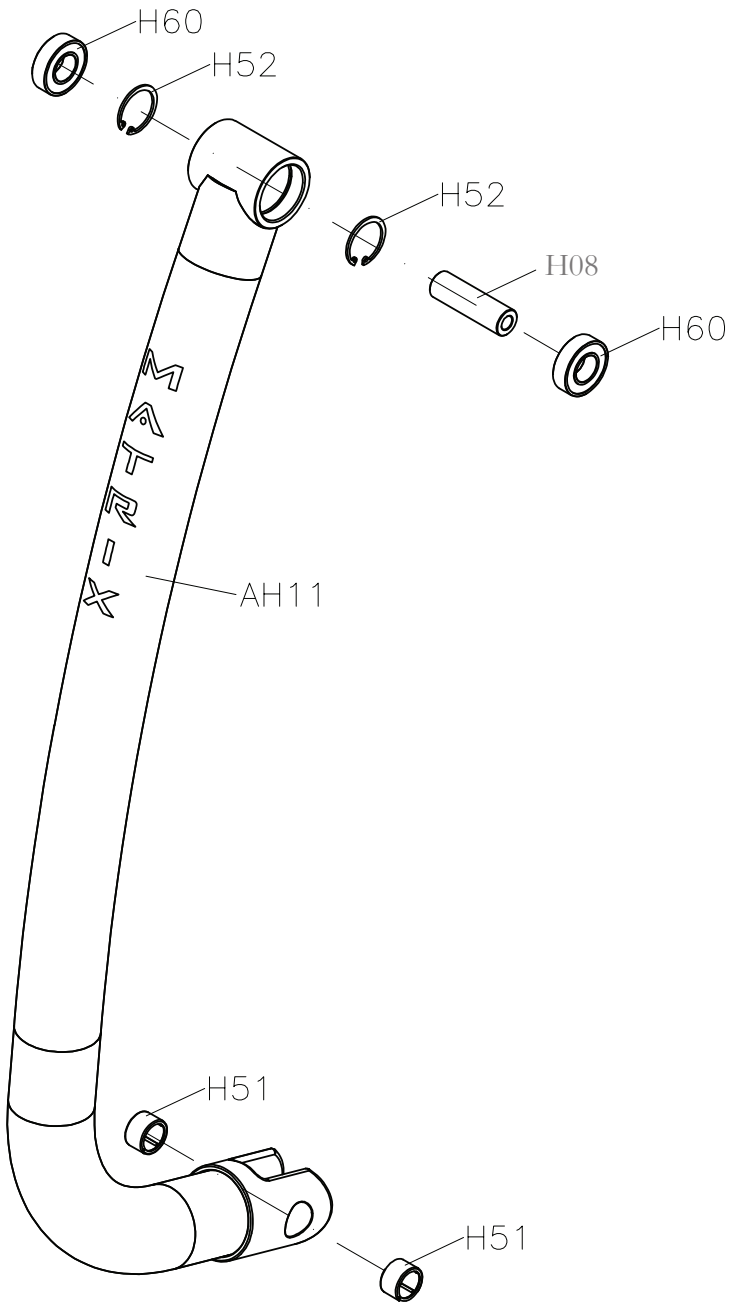
DRAWING NO	EP308-AQ21		
PART NAME	Incline arm cover		
PART NO	0000095212	REV	A
APPROVE	MAX	DATE	20101210



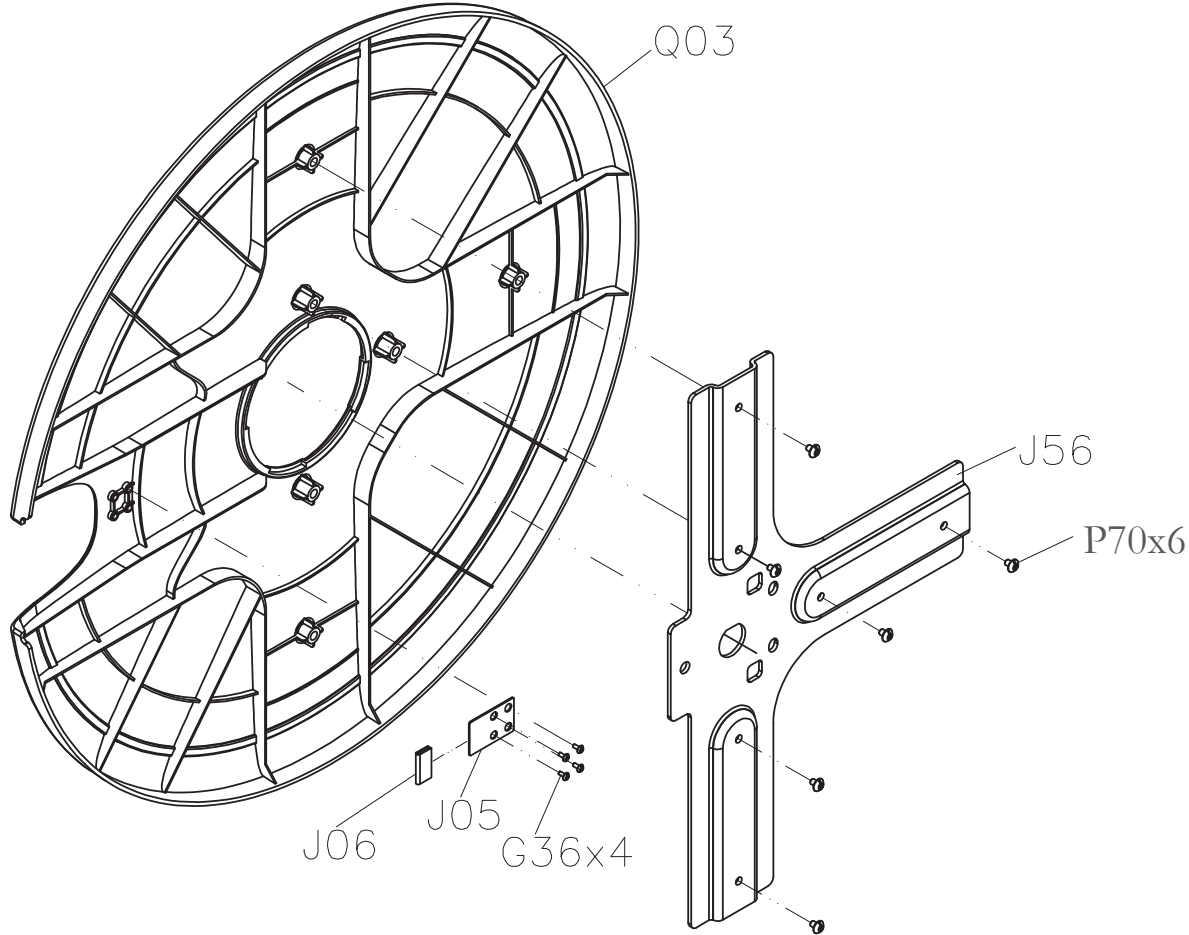
DRAWING NO	EP304-AH25		
PART NAME	SWING ARM SET		
PART NO	0000095028	REV	A
APPROVE	MAX	DATE	20101210



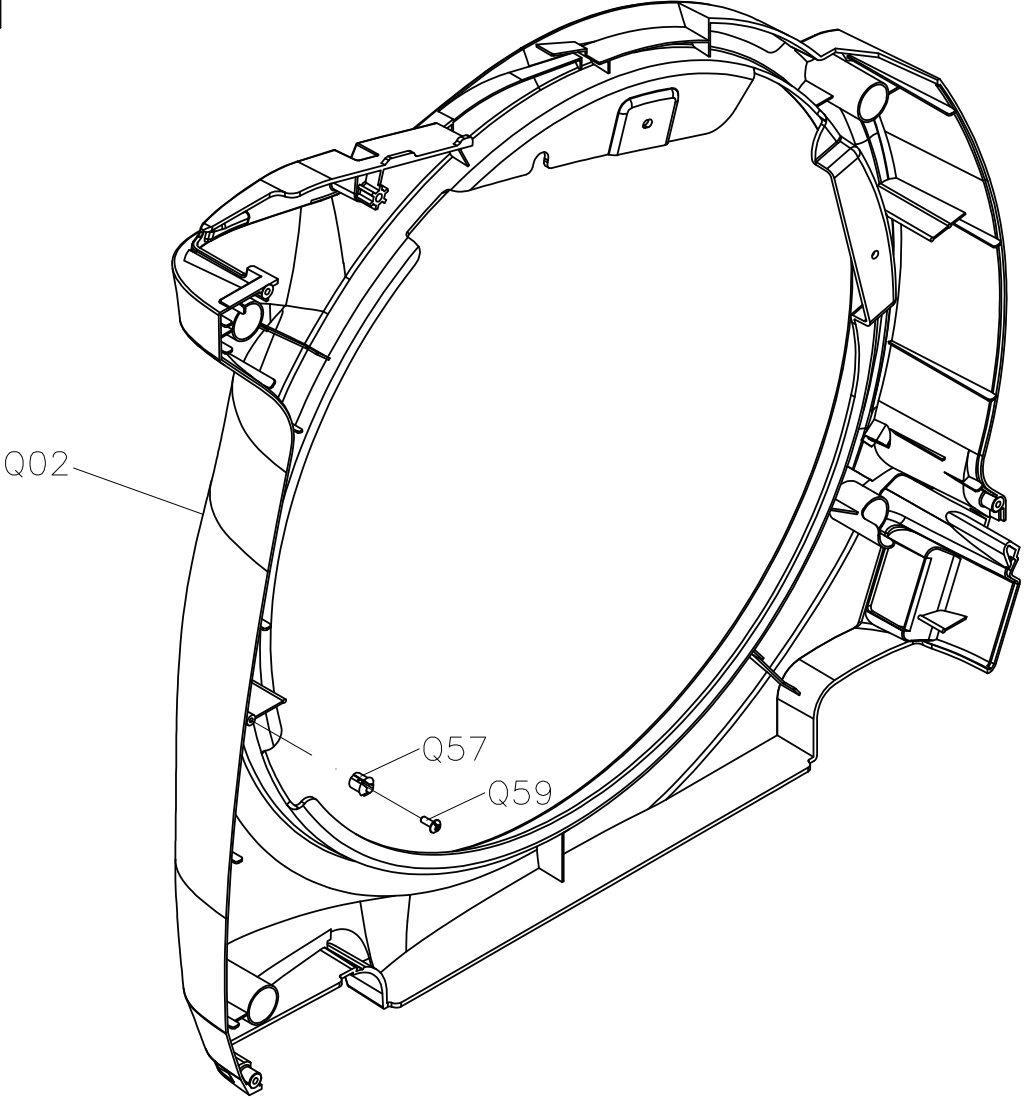
DRAWING NO	EP304-AH26		
PART NAME	ADJUSTMENT ARM SET		
PART NO	0000095043	REV	A
APPROVE	MAX	DATE	20101210



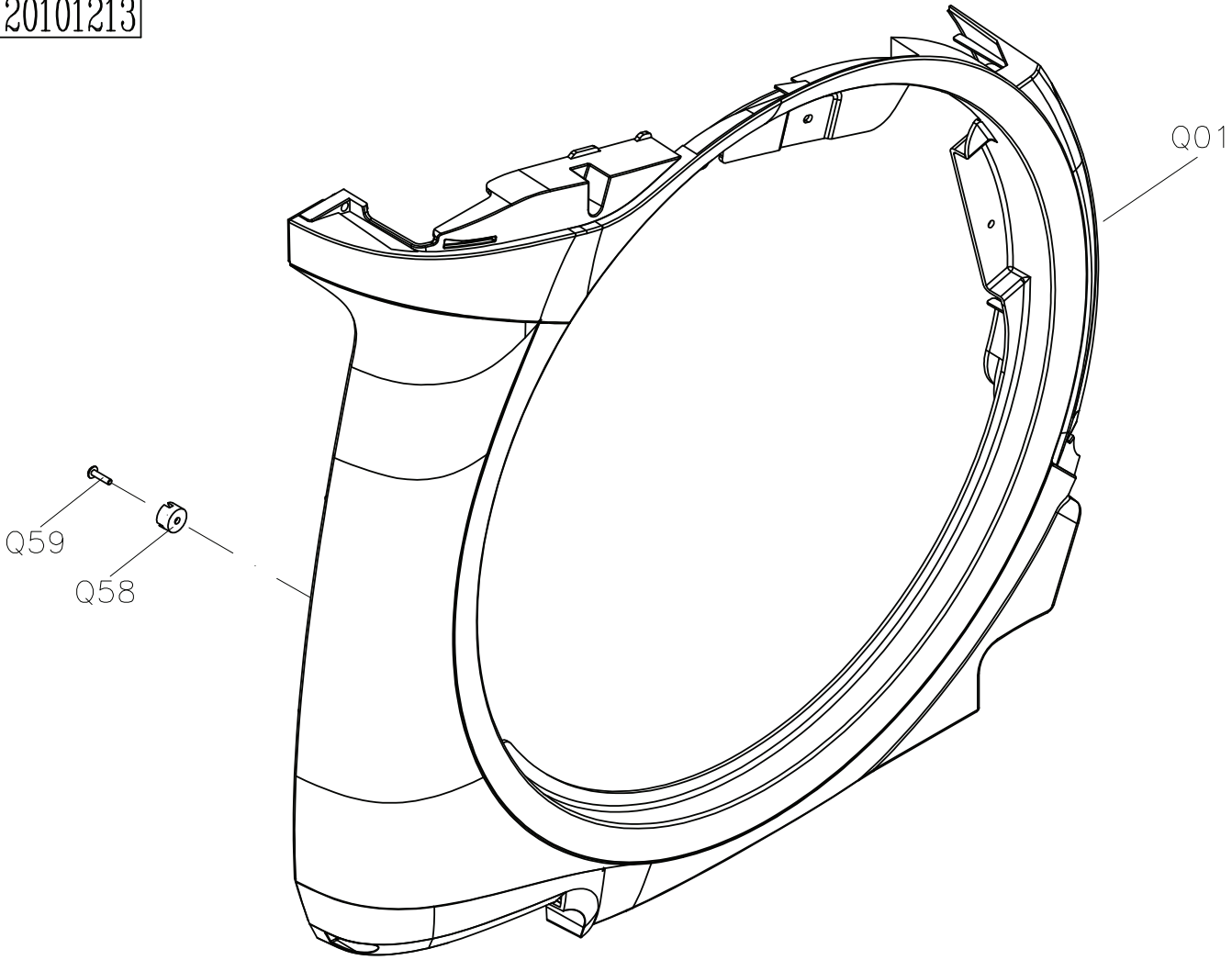
DRAWING NO	EP304-AJ13		
PART NAME	CRANK ROUND DISK SET		
PART NO		REV	A
APPROVE	MAX	DATE	20101210



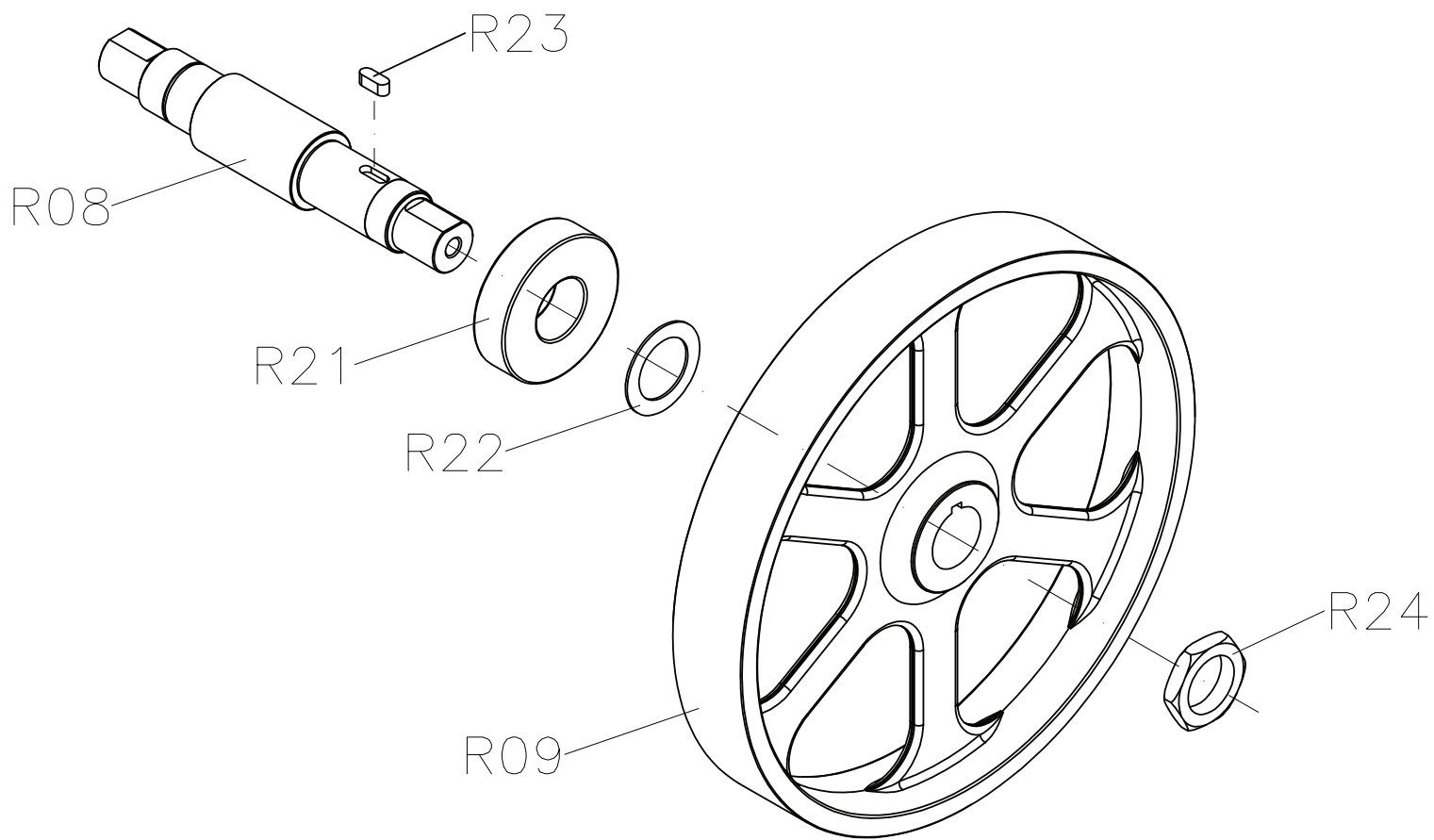
DRAWING NO	EP304-AQ11		
PART NAME	LEFT SIDE COVER SET		
PART NO	0000095068	REV	A
APPROVE	tsaijw	DATE	20101213



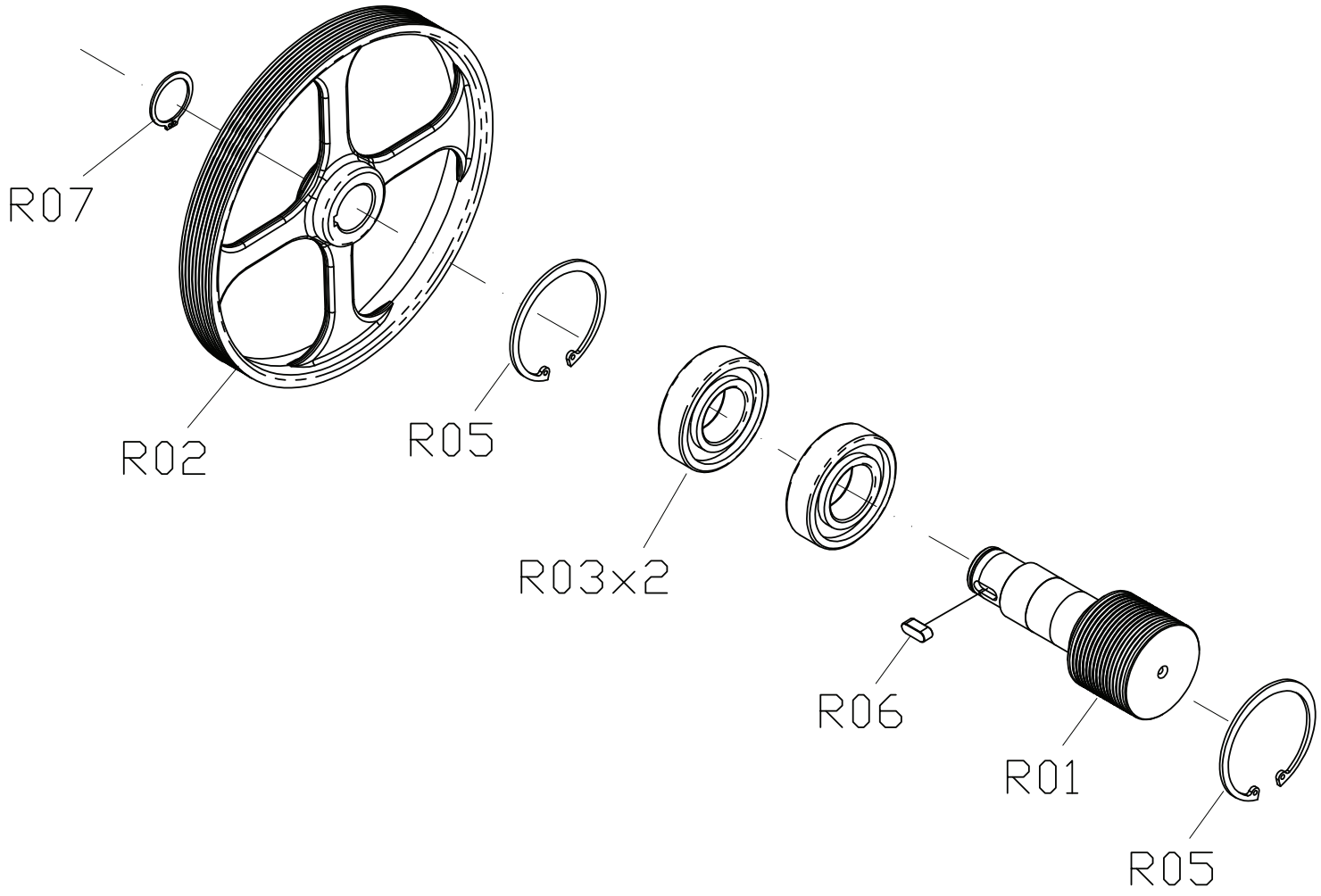
DRAWING NO	EP304-AQ12		
PART NAME	RIGHT SIDE COVER SET		
PART NO	0000095071  A		
APPROVE	tsaijw	DATE	20101213



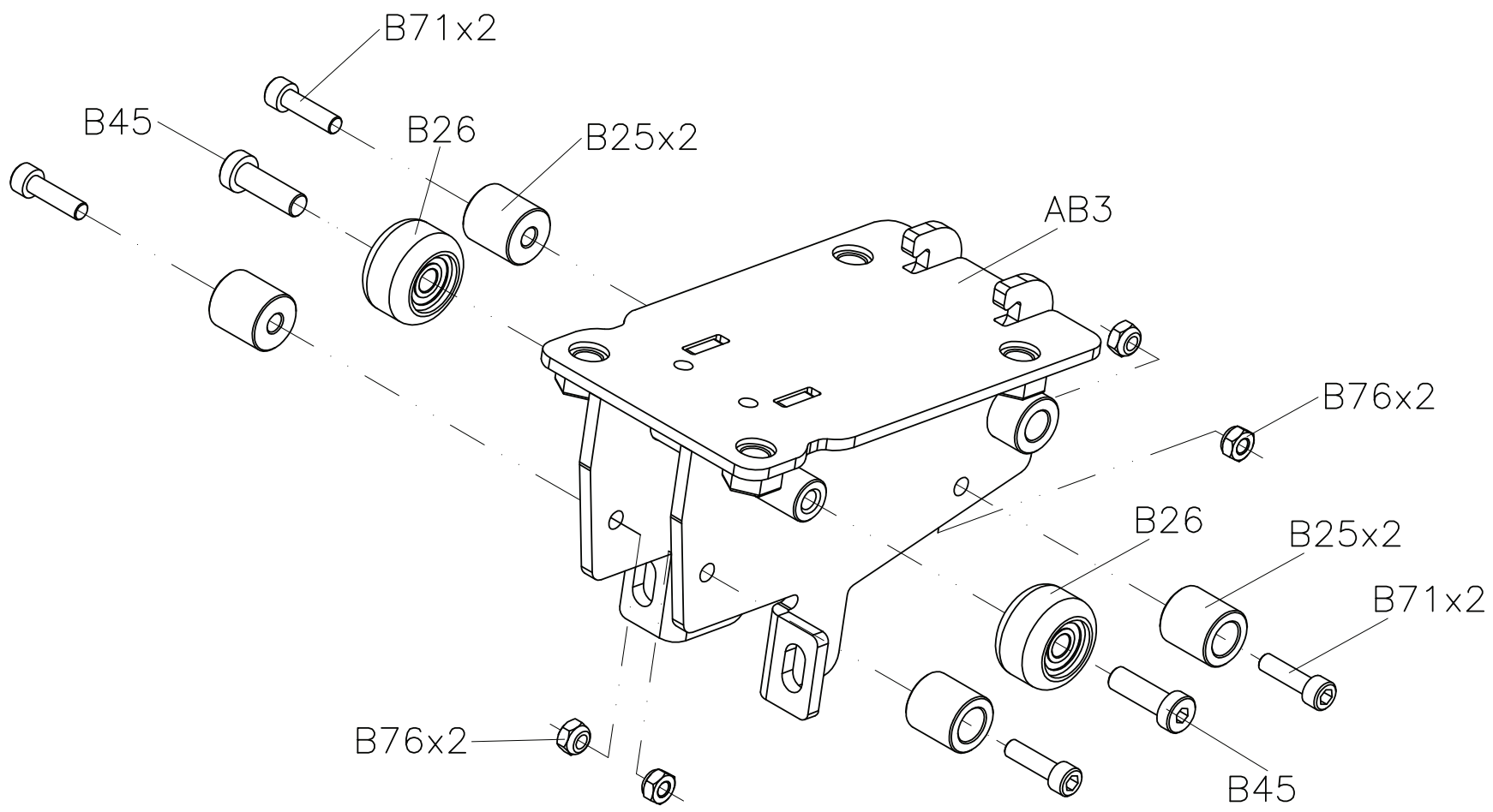
DRAWING NO	EP304-AR5		
PART NAME	DRIVE AXLE SET		
PART NO	1000206975	REV	A
APPROVE	MAX	DATE	20101210



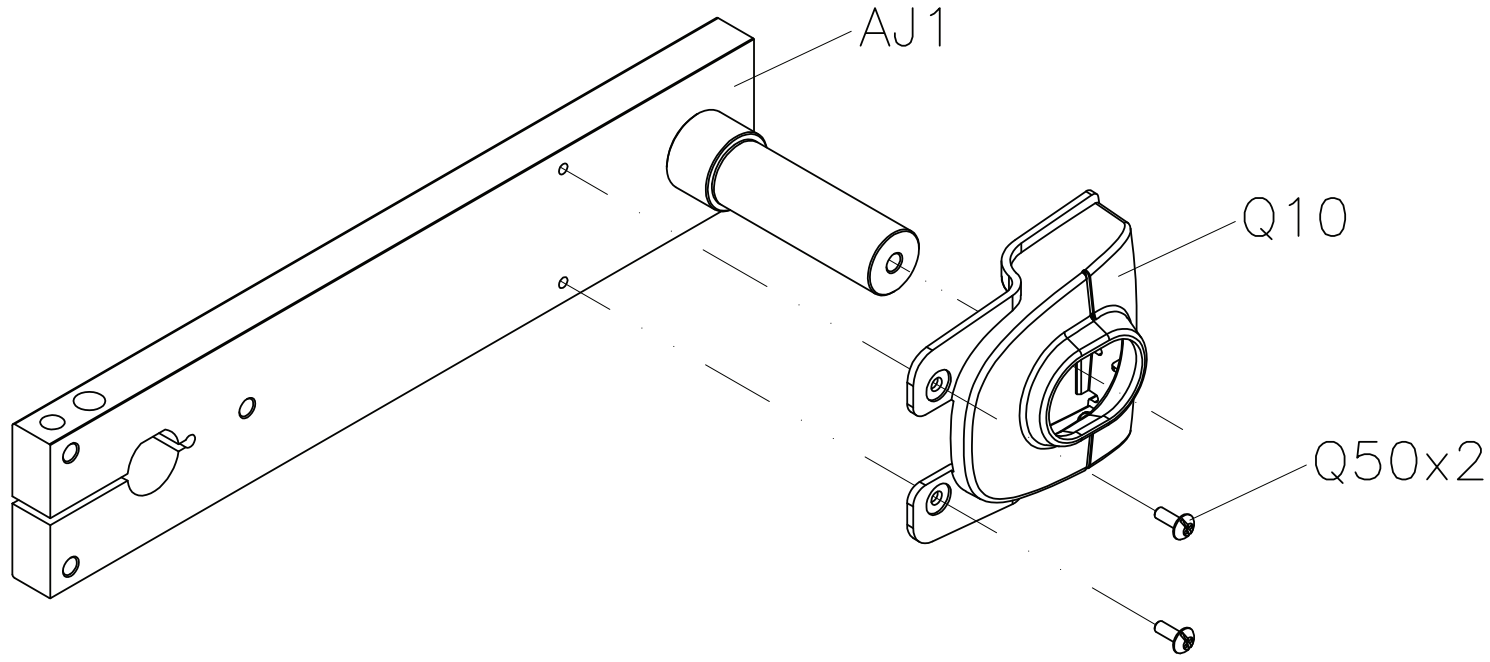
DRAWING NO	EP78-AR11	
PART NAME	PULLEY SET	
PART NO	0000089635	REV B
APPROVE	tsaijw	DATE 112910



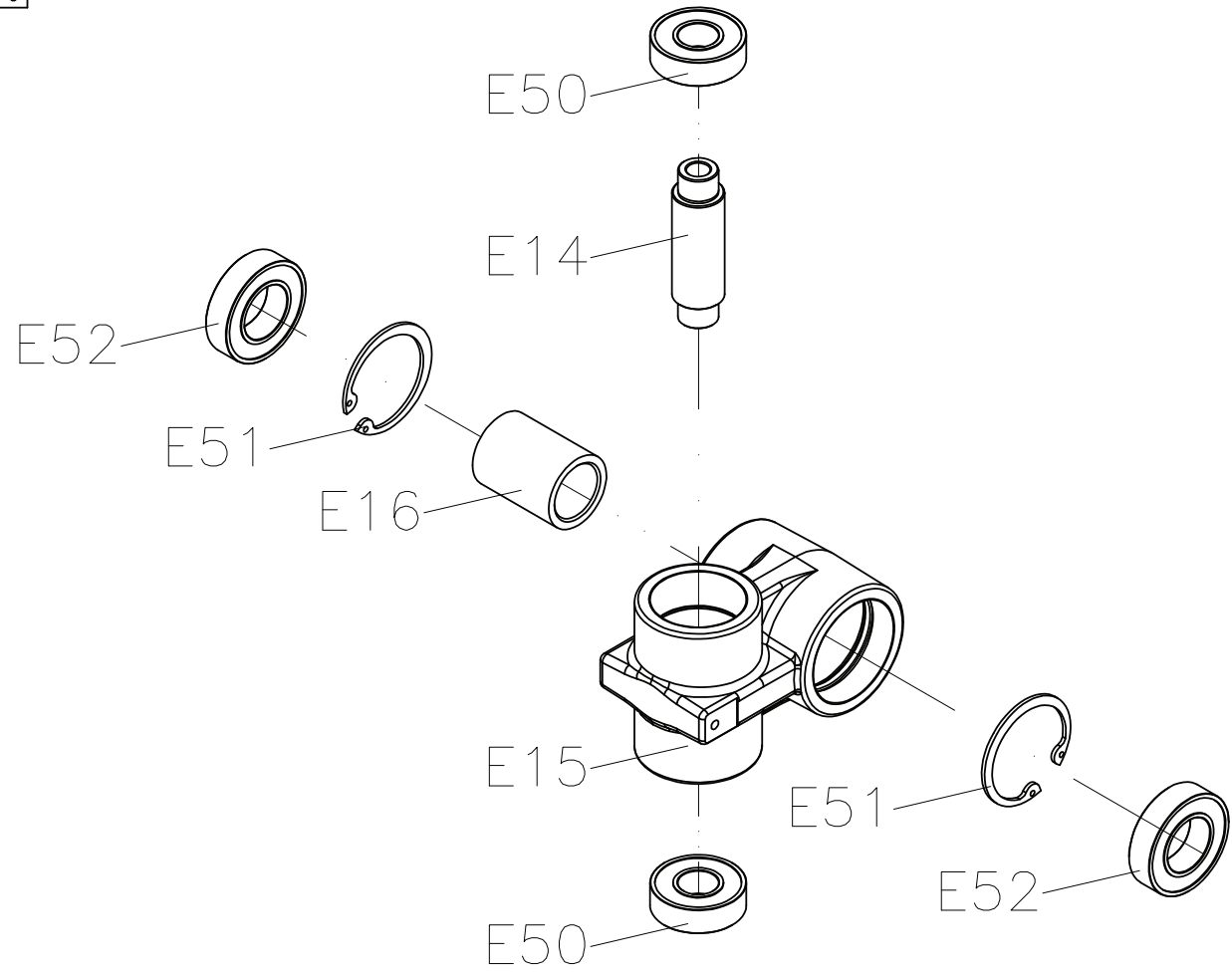
DRAWING NO	EP306-AB5		
PART NAME	MOTOR CARRIAGE SET		
PART NO	0000094930	REV	A
APPROVE	MAX	DATE	20101210



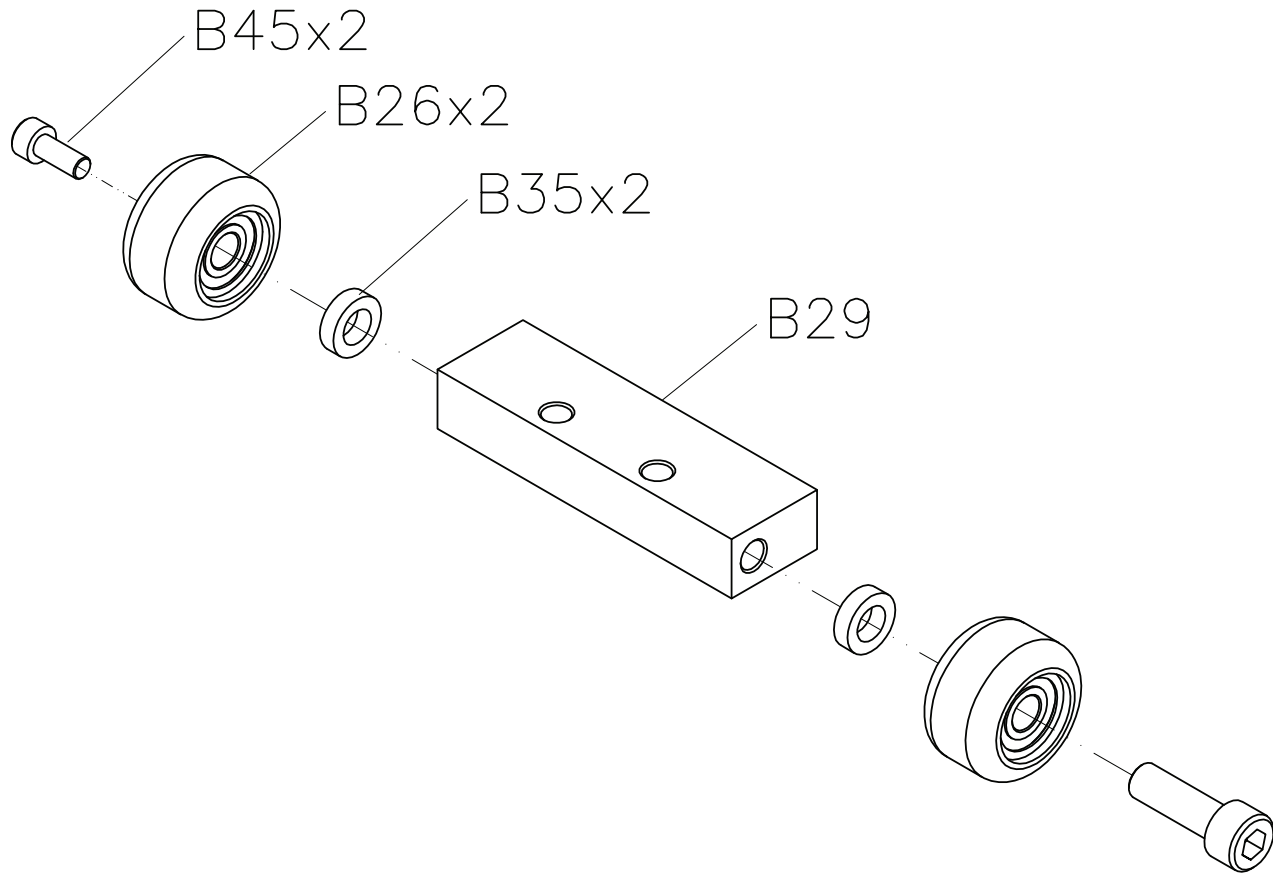
DRAWING NO	EP304-AJ12		
PART NAME	CRANK SET		
PART NO	0000095121REV A		
APPROVE	MAX	DATE	20101210



DRAWING NO	EP79-AE5		
PART NAME	CRANK PIN SLEEVE SET		
PART NO	0000092274 B		
APPROVE	MAX	DATE	20101210



DRAWING NO	EP306-AB7		
PART NAME	ADJUST ROLLER SET		
PART NO	1000212320	REV	A
APPROVE	MAX	DATE	20101210



Bubble#	Part #	Description	Notes
1	0000094938	Console Mast Set EP304	
10	0000095164	Link Arm Set Left EP308	
12	0000095060	LEFT CONNECTION ARM SET left EP308	
13	0000095028	Swing Arm Set EP304	
15	0000095043	Vertical Stabilizer Arm Set EP304	
17	1000215874	Disc Set - EP308 -	
2	0000094984	Pedal Arm Set Right EP304	
26	0000095068	Side Cover Set Left EP304	
27	0000095071	Side Cover Set Right EP304	
29	1000339505	Transmission set+Tools E-3X/5X/7X-03-F	Requires tool 1000368807. Verify tech has tool before shipping
3	0000094991	Pedal Arm Set Left EP304	
30	0000089635	Pulley Axle Set S70 US EP78	
31	0000094930	Elevation Roller Frame Set EP306	
32	0000095121	Crank Set EP304	
33	0000092274	Crank Sleeve Set	Hardware not included
34	1000212320	Elevation Roller Set - EP306 -	
35	0000095210	Quick Key Cover Set EP308	
5	0000094964	Dual Action Handlebar Set Right EP304	
52	0000094951	Swivel Axle Set DA Arm EP304	
6	0000094977	Dual Action Handlebar Set Left EP304	
7	0000095306	Stationary Handlebar Set EP308	
9	0000095309	Link Arm Set Right EP308	
AB1	0000094907	Main Frame Set MATRIX SL/GY/BP-920S	Not Available Link arm frame only. Also see reference numbers Q17, Q21, Q39, Q59, Q63, Q65, H61, H55, H35, and H40.
AH1	0000095004	L LINK ARM PAINTING T75#100909NVP EP304	
AH2	0000094997	R LINK ARM PAINTING T75#100909NVP EP304	
AH4	0000095217	Connection Tube right EP308	
AQ19	0000095148	Arm Cover BIG PU 426C/80393 EP308	
B24	0000095195	Screw Shoulder SCM435 M12 BZN EP306	
B25	0000095299	Block Roller Guide SS41 EP306	

B26	0000095216	Wheel Adjustable 32 EP306
B29	0000095183	ADJ. Block Roller SS41 EP306
B32	0000095638	Foot Pad Adjustable M12X58H 12.9 EP304
B35	0000095184	Spacer SS41 8.2X14X4.0 SS41 EP306
B45	004539-AC	Screw Round Hex Socket M8X1.25PX25L
B46	0000095185	Screw SH M6X1.0PX80L BED
B47	064626-00	Screw Hex Socket Round M8x1.25Px15L Adhe
B48	0000082736	Washer Flat 8.2X16.0X2.0T BZN
B51	004980-A	Insert Nut Hex NHS-580-3.0(M5X0.8P)
B56	0000081761	Leveler Foot Pad 50X18
B57	0000086513	Screw Hex Socket Round M10x1.5Px40L
B71	004472-00	Screw Hex Socket Round M6x1.0Px16L Adher
B76	004935-00	Nut Nylon M6X1.0P
B77	000859-00	Hole Plug Nylon66 HP-8 Black
C31	004983-A	Insert Nut Hex NKHS-8125-2.5(M8x1.25P)
C32	004980-A	Insert Nut Hex NHS-580-3.0(M5X0.8P)
C33	005066-A	Washer Flat 8.2x20.0x3.0T
C34	0000085361	Screw Hex Socket Round M8x1.25Px20.0L Ad
C35	0000095600	End Protect Cap EP-1216
C38	0000083463	Screw TH M8X1.25PX25L HS CHM BP
E08	004077-A2	Ball Bearing 6004ZZ 20X42X12T SKF
E09	0000094927	Axle Link Arm B SS41 EP304
E10	005354-00	C-Clip Internal R-42
E16	0000089475	Ring SS41 25.1x44.65 EP72
E51	005356-00	C-Clip Internal R-47
E52	004078-A2	Ball Bearing 6005ZZ Z25XZ47X12T TPI
E61	005025-00	Washer Flat 25.5x38.0x1.5t Black Zinc
E62	004957-00	Nut Lock M25X1.5P SS41 BAN
G15	0000086225	Screw BH M3X0.5PX15L PH BAN
G22	0000089223	Ring SS41 4.5x3.2x3.05 Cr Plate TM502
G27	004075-A3	Ball Bearing 6202ZZ(BR6202ZZ)

G28	005352-00	C-Clip Internal R-35
G29	0000094958	Bearing Needle HK2518-RS
G30	062710-00	Pin Spring SSPR5-12L
G33	0000095097	Tube Cap FK01004(38.1)
G34	0000095095	End Cap Tube 60 EP304
G35	1000206952	Foam Arm REST PU 426C/80393
G36	1000215790	Screw BH FLG M3X0.5PX4L - PH - BZN
G38	1000210588	Screw BH M3X0.5PX6L MT PH SSTSUS304 BZN
H07	0000095036	Shaft Swing Arm SS41 EP304
H08	1000215716	Axle SS41 EP304
H23	0000095050	Swivel Shaft A SCM440 EP304
H24	0000095051	Swivel Shaft B SCM440 EP304
H34	0000095026	Connection Plate Incline Arm SPHC 4.0T EP304
H35	1000200519	Rod End Bearing 2201-2RS 12X32X14 -
H37	020478-00	Washer Flat 10.2x20.0x2.0T Black Zinc
H38	0000086127	Nut HEX M10X1.5P 10
H40	1000217119	Ring QUICK KEY SS41 - - EP304
H41	0000092805	Bearing Tapered Roller (PEER 2204-2RS)
H42	005356-00	C-Clip Internal R-47
H43	004081-A2	Ball Bearing 6204ZZ 20x47x14t TPI
H45	0000082795	Spacing Ring Bearing SS41
H51	0000095048	Bearing Needle HK2016
H52	005354-00	C-Clip Internal R-42
H55	004911-00	Nut Hex M16x2.0Px7.0L Zn Pl
H56	004555-AB	Screw Hex Socket Round M10x1.5Px25L Cr A
H57	1000102724	Screw Hex Socket Round M10x1.5Px90L-35L
H58	1000313183	Screw Socket Head M10X1.5PX30L Hex Sock
H60	004077-A2	Ball Bearing 6004ZZ 20X42X12T SKF
H61	004980-A	Insert Nut Hex NHS-580-3.0(M5X0.8P)

H62	004542-AC	Screw Hex Socket Round M10x1.5Px110L Adh	
H63	0000088934	Screw SH M10X1.5PX45L-25L HS BP P-T	
H64	1000227460	WASHER FLT Diam.21.2XDiam.40.0X2.0T NYL+	
H65	1000209856	Nut CUSTOM M10X1.5P S45C CHM	
J05	1000210482	Location Plate Disk SPCC 1.0T BED EP304	
J06	1000210483	Foam Single Side 25x25x1.0T EP304	
J53	004518-AD	Screw Hex Socket Round M10X1.5PX75L (35L) HS	
J56	0000095106	Fix Plate Disc PAINTING BL EP304	
J57	0000089835	Washer Ribbed lock 8.5x12.8x0.8tx1.3h	
J58	004493-00	Screw Hex Socket Round M8x1.25Px16L	
J60	005487-D	Spring Compress	
Kit	1000201331	Service tool kit	Bearing Removal Tool Kit (needed for PAX or DAX replacement)
L01	000041-AA	Transport Wheel	
L50	020069-00	Screw SH M8X1.25PX12L HS BP G12.9	
L51	005042-00	Washer Flat 8.2X30.0X2.0T Black Zinc	
L52	005220-00	Washer Wavy 20.7x29.1x.3T	
N05	0000095322	Bracket Console ABS/PA746 DG/80435 EP603	
N20	1000210480	Grip Sensor U ABS/PA746 80393 EP304	
N21	1000210481	Grip Sensor D ABS/PA746 80393 EP304	
N24	0000095203	Gauge Pulse RU ABS/PA746+SUS304 80393	
N25	0000095161	Gauge Pulse LU ABS/PA746+SUS304 80393	
N25			
N26			
N26	0000095304	Gauge Pulse RL ABS/PA746+SUS304 80393	
N27	0000095162	Gauge Pulse LL ABS/PA746+SUS304 80393	
N30	0000095207	Quick Key Left ABS/PA746 137C/80395 EP308	
N31	0000095194	Quick Key Right,ABS/PA746 137C/80395 EP308	

N33 Not Shown	035695-AB ZMS4006025	Screw BH M4X0.7PX30L PH BAN Incline Motor Replacement Instructions	
Not Shown	1000228041	TV POWER 2600(SCD-554DCS103BB1G H6630P1- TV Power Wire needed for PCTV. POWER CORD SET POWER CORD+Warning	
Not Shown Not Shown	0000094424 0000093786	Sticke TOOL BELT INSTALLATION8-RIB SPHC 2.0t	12' NEMA. Flexonic Belt Tool
Not Shown Not Shown	1000304310 1000412356	Documentation Manual Assembly English E Service Set Power - Service KITS SET	Also order LCB cover 1000426784 .
Not Shown Not Shown	1000426784 1000368807	Anti-Sweat Cover Set MCB A A5x(EP308) Service Hardware Kit E1x Power Cord External(USA) 3000,14AWG	This is the LCB cover. Also order kit 1000412356 . Discontinued
Not Shown Not Shown	002782-C 1000314760	110V(non-nema) Cover set Sweat-proof EP304 Kits se	12' Non-NEMA. Additional Sweat Cover for LA Fitness.
P02	1000206778	Ground Wire 100(99470BS42+KST FLDNY2-250-	
P06	0000080692	Generator Wire 550L JST VHR-5+MOLEX 4202	
P07 P08	1000209858 056006-A	Battery Power CONNECT Wire 200(KST FLDNY Grip Pulse Extension Wire 1000(5.0 OWzP) Motor Connect Wire	
P12	1000206785	950(MOLEX050841060+MO	
P16 P17 P19	1000443292 065248-A 0000084267	Cat6 Network Signal Wire 2600(KINSUN320 TV Coax Adaptor Female F-A028-NBX7-C Battery Sealed Lead Acid WP12-12 S7700 U	
P21	1000209857	Console Wire 1200(MOLEX,50-57-9408x2) EP	
P25	1000206786	TV Signal Connect Wire 2600(FM-0086-NBG7	

P26	1000206772	Pulse Connection Wire 900(TKP H6630R1-06+TKP H2	This wire is also shown, but not labeled, between P08 and P30 on the diagram.
P30	0000093219	Jacket PVC A5X-03-F US EP79	
P31	001677-A	Cable Fix Button KSS/UC-3 Power Electric Resistance Contain Wire 4	
P32	003553-D	400W10,650(3.96-4P WH	
P33	004448-Z	Screw Round Hex Socket M5x0.8Px10L	
P42	0000092949	Screw SS41 BED A5X-03 US EP79	
P43	062621-A	Nut Wing 1/4-20UNC SS41 BZN	
P46	000880-B	Rubber Pad Motor Anti-Shake	
P48	0000095254	Power Wire 450(KST FLDNY1-250-1x2+KST FD	
P61	0000093983	Screw BH M5X0.8PX65L PH NKL	
P62	004889-00	Nut Hex M5x0.8P Nickel	
P63	0000083692	Washer TOOTH M5.3X10X0.6 Nickel	
P70	004385-00	Screw BH M5X0.8PX12L PH BAN	
P73	069904	Ferrite Cord FH0650B CB32-P16A	
Q04	1000427598	Cover F painting BP-920S MATRIX/SL/GY E	See Electrical Parts Protection service bulletin.
Q05	1000210494	Console Mast Boot Rear PA746 80393 EP304	
Q06	0000095075	Cover Handlebar Right ABS/PA746 DG/80435	
Q07	0000095076	Cover Handlebar Left ABS/PA746 DG/80435	
Q08	0000095077	Water Bottle Holder ABS/PA746 DG/80435	
Q09	0000095103	End Cap,ROUND Plate ABS/PA746 SL/GY/8054	
Q10			
Q12	0000095035	COVER SWING ARM ABS/PA746 DG/80435	
Q13	1000215396	Plastic Cover LARGE ABS PA746 mpp/80435	
Q16	0000095171	Pedal Plastic Right PP-3015 DG/80435 EP308	
Q17	0000095152	Pedal Plastic Left PP-3015 DG/80435 EP308	

Q18	0000095201	Cover Console Mast EP304 Bracket Water Bottle Holder TPR 426C 80393 EP30
Q19	1000210484	
Q20		
Q20	0000095163	Adorn Cover Pedal R PP 137C/80395 EP308
Q21	0000095165	Adorn Cover Pedal L PP 137C/80395 EP308
Q22	0000095174	Outside Cover Handlebar ABS/PA746 DG/804
Q23	0000095175	Inside Cover Handlebar ABS/PA746 DG/8043
Q24	0000095178	Outside Cover Swing Arm ABS/PA746 DG/804
Q25	0000095179	Inside Cover Swing Arm ABS//PA746 DG/804 Stabilizer Cover Middle ABS/PA746 DG/80435
Q27	0000095182	EP
Q28	065383-AA	Pedal Cap NY(BL) EP76-Q28
Q30	0000094929	Cap Stabilizer Left-Front ABS/PA757 P804
Q31	0000095100	Cap Stabilizer Right-Front ABS/PA757 P80
Q32	0000095297	End Cap Link Arm ABS/PA746 SL/GY/80547 EP
Q33	0000095180	Spacer ABS/PA746 BLACK EP304 Hook Incline Arm Cover ABS/PA746
Q36	1000209855	SL/GY/80547
Q37	0000095315	Pad Water Bottle Holder TPR 426C 80393 EP308
Q38	0000095200	Cushion Pedal Right NBR 426C 80393
Q39	0000095209	Cushion Pedal Left NBR 426C 80393
Q49	1000384823	Screw Round Head M5x0.8Px12L Phillip St
Q50	004389-00	Screw Phillip BH M5x0.8Px16L BED
Q51	038449-A	Clip Tapped Hole FE M5 YZN
Q55	1000414494	Cover Filter PC 510 BL/Black C EP304B

Added cover. See Electrical Parts Protection service bulletin.

Q56	1000427083	Power cover ABS/PA757 Gray/80435 EP30	See Electrical Parts Protection service bulletin.
Q57	005845-B	Fix Buckle Base Nylon GM01	
Q58	005844-B	Fix Buckle Base PVC GM01	
Q59	008866-A	Screw Special Round 4.0x1.34Px12L(Hi-Lo	
Q60	004448-Z	Screw Round Hex Socket M5x0.8Px10L	
Q61	028555-00	Screw BH M5X0.8PX12L PH BAN BP	
Q63	1000211111	Screw SH M5X0.8PX12L - HS SSTSUS304 BED	
Q64	004381-00	Screw Oval Head M5x0.8Px25L	
Q65	1000217120	Washer FLT 5X10X1.0T SST BAN	
Q66	085797	Screw BH M5X0.8PX20L PH BAN	
Q67	1000203251	Plastic Base WH CHF-11E	See Electrical Parts Protection service bulletin.
Q68	004620-AF	Screw Umbrella Cross Tapped 4x12L Gap	See Electrical Parts Protection service bulletin.
R03	0000090466	Bearing Ball 6206LUZ(CN) 30X62X16T TP	
R05	005357-00	C-Clip Internal R-62	
R07	005366-00	C-Clip External S-25	
R16	0000094297	Drive Belt Poly-V 460-J16 FGD Carlisle	Requires tool 0000093786. Verify tech has tool before shipping.
R17	1000207054	Belt POLY-V - 1206 J8 FLEXONIC	
R21	0000092813	Bearing Ball 6306LUZ(C3) TPI	
R22	005121-00	Washer Flat 30.3X45.0X1.2T SPGC	
R24	004961-A	Nut Hex M30x1.5Px8T	
R26	005367-00	C-Clip External S-30	
S01	012819-00	Generator 210 CE EP MX/600SERIES400W J	
S02	1000220174	Elevation Motor DC 12V 400LBS Lower Control Board Generator - H001 S001	Send Incline Motor Replacement Instructions ZMS4006025 with this part.
S03	1000217256	EP30	
S50	1000219678	Pin Motor SS41 10x48L EP306	
S51	005189-00	Washer Teflon 10.5x25x1.0T	
S54	1000216245	Pin Hairpin Cotter	
S56	005067-00	Washer Flat 10.2X15.0X1.5T Black Zinc	

S57	004891-00	Nut Hex 3/8-26UNCX9H
S61	004454-00	Screw Round Hex Socket M5X0.8PX15L
S62	0000093717	Washer Ribbed Lock 10.5X16X1TX1.6H BED
S63	005078-00	Washer Flat 5.3x10x1.0T Black Zinc
S65	020487-ZA	Washer Flat 10.5x18x2.5T
U01	1000350493	Idler Set Integrated EP304
V12	006078-00	Decal Grounding TM08
Z12	020478-00	Washer Flat 10.2x20.0x2.0T Black Zinc
Z13	0000085361	Screw Hex Socket Round M8x1.25Px20.0L Ad
Z14	005005-00	Washer Spring Lock 8.2x15.4x2.0t
Z15	1000215738	Cap Nut S45C EP304
Z16	004539-AD	Screw Round Hex Socket M8X1.25PX25L Chromed
Z17	0000083458	Washer Lock 8.2x13.5x2.0t
Z18	004481-00	Screw Hex Socket Round M8x1.25Px45L
Z21	0000089822	Screw Hex Socket Round M10x1.5Px100L
Z22	004885-00	Nut Hex M10x1.5P
11	Order Parts Separately	Horizontal Stabilizer Arm Set Right EP308
41	Order Parts Separately	Incline Arm Cover EP308
AB3	Part of Kit 31	Roller Base Frame BLACK EP306
AC1	Part of Kit 1	Console Mast PAINTING MATRIX SL/GY/B
AE1	Part of Kit 3	Pedal Arm Left T75#100909NVP EP304
AE2	Part of Kit 2	Pedal Arm Right T75#100909NVP EP304
AG1	Part of Kit 6	Dual Action Handlebar Left T75#100909NVP EP304
AG2	Part of Kit 5	Dual Action Handlebar Right T75#100909NVP EP304
AG21	Part of Kit 7	Stationary Handlebar DIPPING EP308
AG6	Part of Kit 52	Swivel Frame DA Arm PAINTING BL EP304
AH1	Part of Kit 10	Link Arm Left T75#100909NVP EP304
AH11	Part of Kit 15	Vertical Stabilizer Arm SL/GY/BP-920S E
AH2	Part of Kit 9	Link Arm Right T75#100909NVP EP304
AH3	Order Kit 12	CON TUBE SET L

AH8	Part of Kit 13	Swing Arm T75#100909NVP EP304
AJ1	Part of Kit 32	Crank Set PAINTING BL EP304
AP15	N/A	Hub group Power supply EP304B
E14	Part of Kit 33	Crank Sleeve Axle S45C EP72-E14C
E15	Part of Kit 33	Crank Sleeve Set FCD45 BED A5X-03 US EP7
G31	Part of Kit 35	Quick Key Speed PT591-03 ELI-RD TM503
G32	Part of Kit 35	Quick Key Elevation PT591-03 ELI-LD TM50
Not Shown	1000216774	Assembly Tool Flexonic Belt
P05	N/A	Filter Board Set L178A1 H001 EP304B
P35	001220-00	Clamp Cable UC-1.5(KSS) PD02UC
P71	1000216859	Collect Tie Push Mount KSS P
Q01	Part of Kit 27	Side Cover Right ABS/PA746 DG/80435 EP304
Q02	Part of Kit 26	Side Cover Left ABS/PA746 DG/80435 EP304
Q03	Part of Kit 17	Disc ABS/PA746 94220 EP304
Q26	Part of Kit 35	Quick Key Set ABS/PA746 80393 EP308
R01	Part of Kit 30	Axle Pulley S45C S70 US EP78
R02	Part of Kit 30	Pulley Poly-V FC25 J8198 S70
R06	Part of Kit 30	Key Round Dual End 6X6X16L
R08	Part of Kit 29	Axle Transmission SCM440 - - EP304
R09	Part of Kit 29	Pulley Poly-V FC25 282 S70
R23	Part of Kit 29	Key Round Dual End 6X6X16L
V04	006540-A	Decal Handlebar Left BLUE WORD/WHITE BAS

As of 5/6/19: If you need this part, please send kits [1000412356](#) [service kit] and [1000426784](#) [LCB cover] instead. The service kit contains installation instructions. Also see Electrical Parts Protection service bulletin.

As of 5/6/19: If you need this part, please send kits [1000412356](#) [service kit] and [1000426784](#) [LCB cover] instead. The service kit contains installation instructions. Also see Electrical Parts Protection service bulletin.

Discontinued
Discontinued

V05	006541-A	Decal Handlebar Right RED WORD/WHITE BAS	Discontinued
29	1000206975	Drive Axle Set - EP304 -	Discontinued - Requires tool 0000094817. Verify tech has tool before shipping
AH3	0000095020	Horizontal Stabilizer Arm Left SL/GY/BP-920S	Discontinued
AH4	0000095011	CON TUBE SET R painting BP-920S MATRIX/	
C40	001597-A	GROMMET NYLON WHT	Discontinued
E50	004080-00	Ball Bearing 6203ZZ 17X40X12T TPI	Discontinued
E52	004078-A2	Ball Bearing 6005ZZ Z25XZ47X12T TPI	Discontinued
E52	004078-00	Ball Bearing 6005ZZ 25X47X12T SKF	Discontinued
H55	004911-00X	Nut Hex M16X2.0PX7.0T Zinc	Discontinued
H64	1000206967	Washer Flat PTFE 20.2x40.0x2.0T	Discontinued
Not Shown	0000095079	Assembly Manual ENG EP304	Discontinued
Not Shown	0000094817	Drive Axle Service Kit S70 US EP78	Discontinued - Discontinued
Not Shown		Power Cord External(USA) 3000,14AWG	
Not Shown	002787-C	110V(nema)	Discontinued - 12' NEMA.
Not Shown	0000086204	Power Cord Non NEMA 15 feet 90 DEGREE	Discontinued
		Power Cord NEMA 15 feet 90 DEGREE\\ D/C, See POWER CORD CHEAT SHEET for notes on replacement	Discontinued - 15 NEMA power cord, 90 degrees at the wall.
Not Shown	061769-B		
P05	1000302622	Filter Board Set L063B2 H002 EP304	Discontinued
		Cat5 Net Connect Wire 2600(3205645600+TKP	
P16	1000209243	H66	Discontinued
P36	001678-A	Cable Fix Button KSS/UC-2	Discontinued
P40	1000221213	Fixing Plate Battery MATRIX SL/G	Discontinued
Q10	0000095066	Boot Crank ABS/PA746 DG/80435	Discontinued
Q12	1000206966	Sleeve Swing Arm Painting MATRIX SL/GY/B	Discontinued
R07	008678-A	Clamp External C-Shaped S-25	Discontinued
S01	0000089783	Generator Set	Discontinued
			Discontinued - Please return defective lower board to JHTNA ATTN: Kenny Chenn
S03	0000089625	Lower Control Board Set H001S003 S70 US EP78	

U01

0000093737

Tension Wheel Set Idler

Discontinued